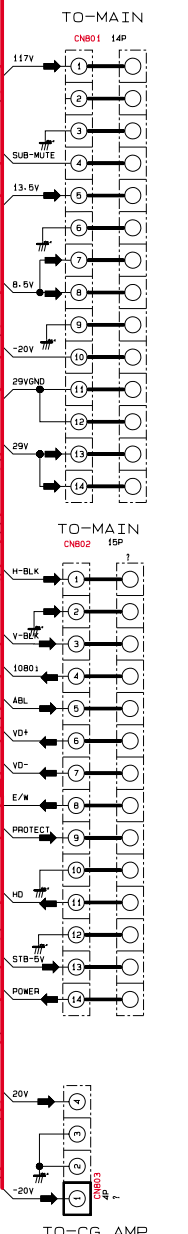
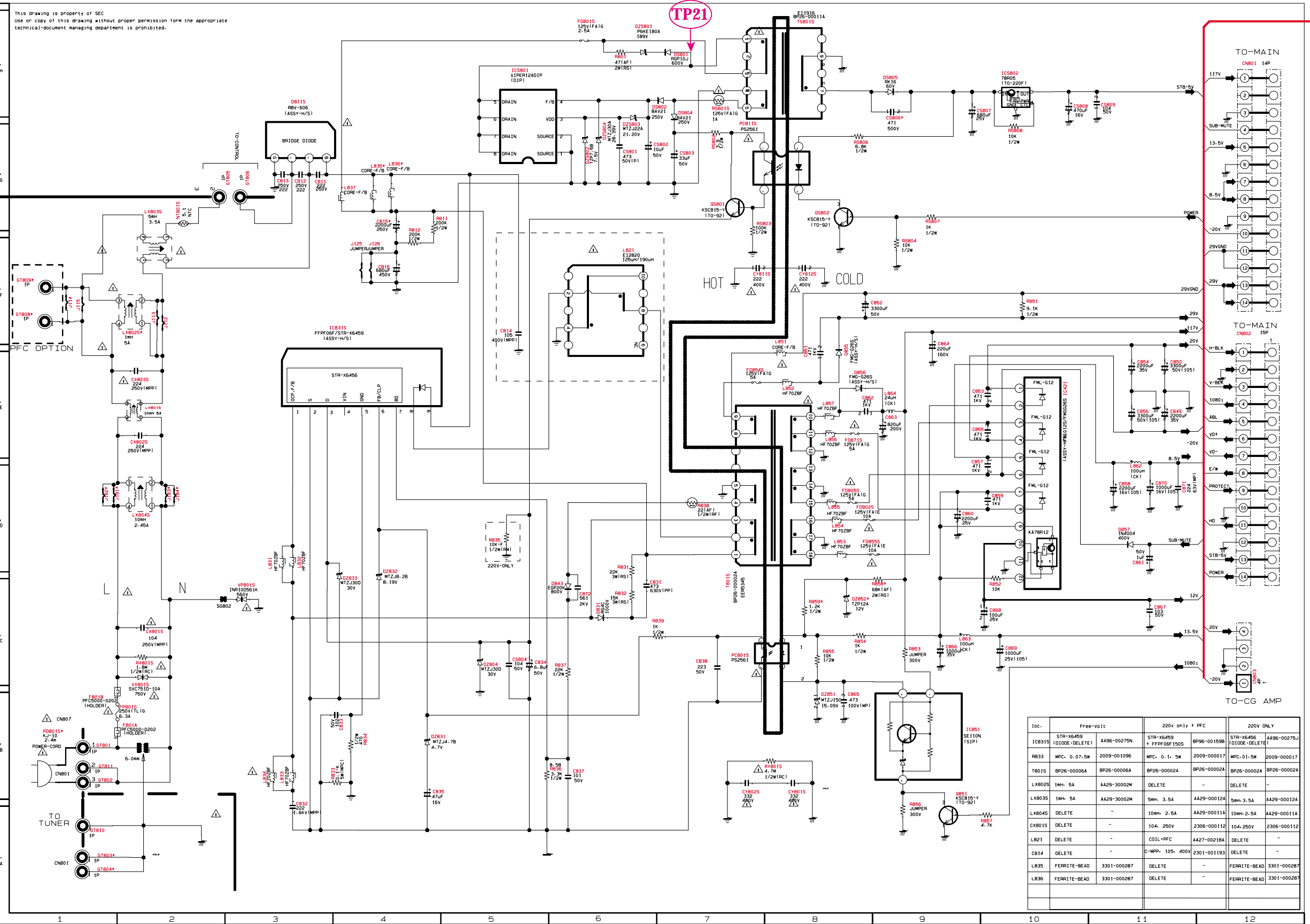


This drawing is property of SEC
 Use or copy of this drawing without proper permission from the appropriate
 technical-document managing department is prohibited.



Loc.	Free-Volt	220v only + PFC	220V ONLY
IC8315	STR-X6456 (DIODE-DELETE)	AA96-00275N	STR-X6456 (DIODE-DELETE)
R833	MPC. 0.07-5W	2009-001096	MPC. 0.1-5W
L8015	BP26-00006A	BP26-00006A	BP26-00002A
LX8025	1mh, 5A	AA29-30002M	DELETE
LX8035	1mh, 5A	AA29-30002M	5mh, 3.5A
LX8045	DELETE	-	10mh, 2.5A
CX8015	DELETE	-	104-, 250V
L821	DELETE	-	COIL+PFC
C814	DELETE	-	C-MPP, 105-, 400V
L835	FERRITE-BEAD	3301-000287	DELETE
L836	FERRITE-BEAD	3301-000287	DELETE

Loc.	Free-Volt	220v only + PFC	220V ONLY
IC8315	STR-X6456 (DIODE-DELETE)	AA96-00275N	STR-X6456 (DIODE-DELETE)
R833	MPC. 0.07-5W	2009-001096	MPC. 0.1-5W
L8015	BP26-00006A	BP26-00006A	BP26-00002A
LX8025	1mh, 5A	AA29-30002M	DELETE
LX8035	1mh, 5A	AA29-30002M	5mh, 3.5A
LX8045	DELETE	-	10mh, 2.5A
CX8015	DELETE	-	104-, 250V
L821	DELETE	-	COIL+PFC
C814	DELETE	-	C-MPP, 105-, 400V
L835	FERRITE-BEAD	3301-000287	DELETE
L836	FERRITE-BEAD	3301-000287	DELETE