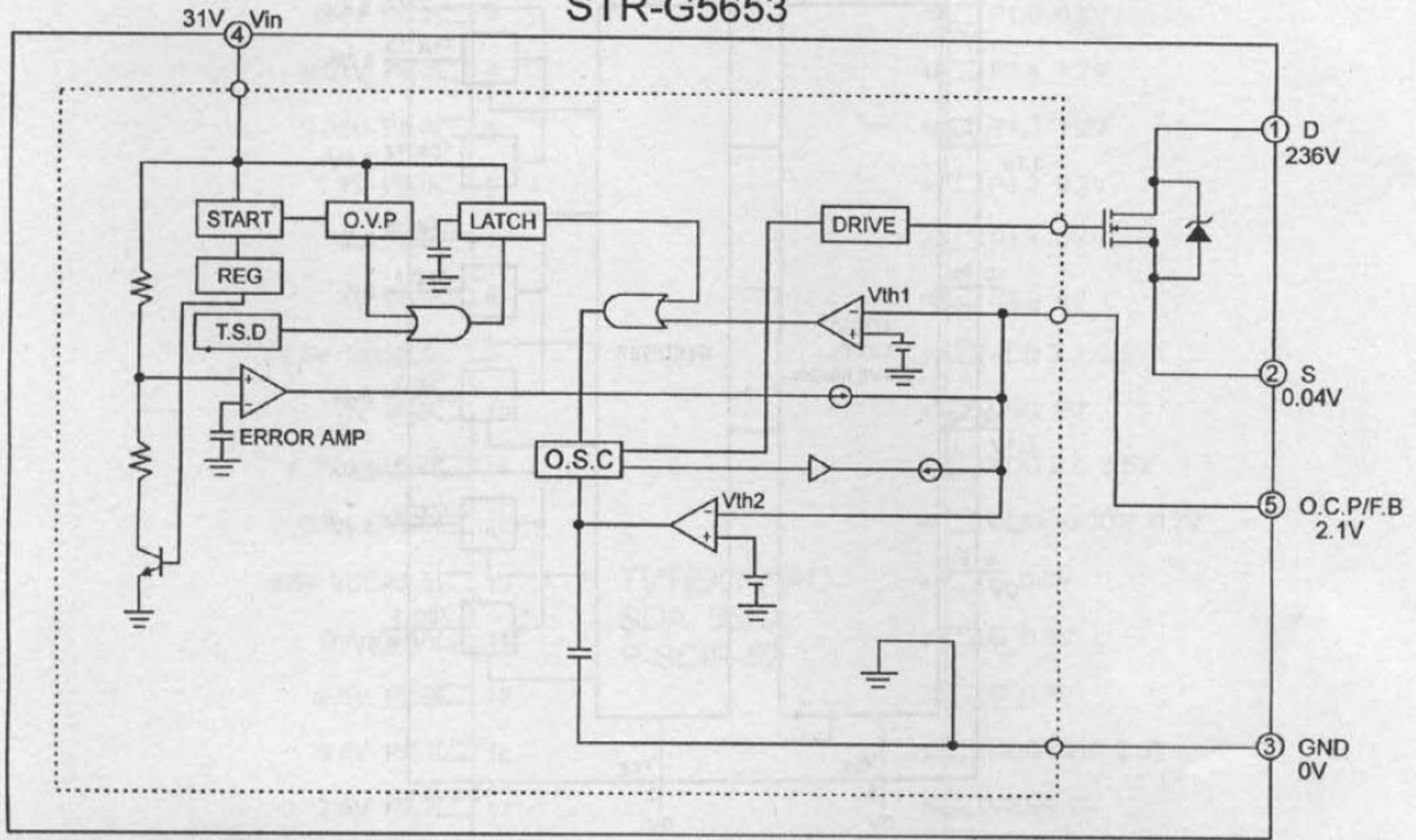
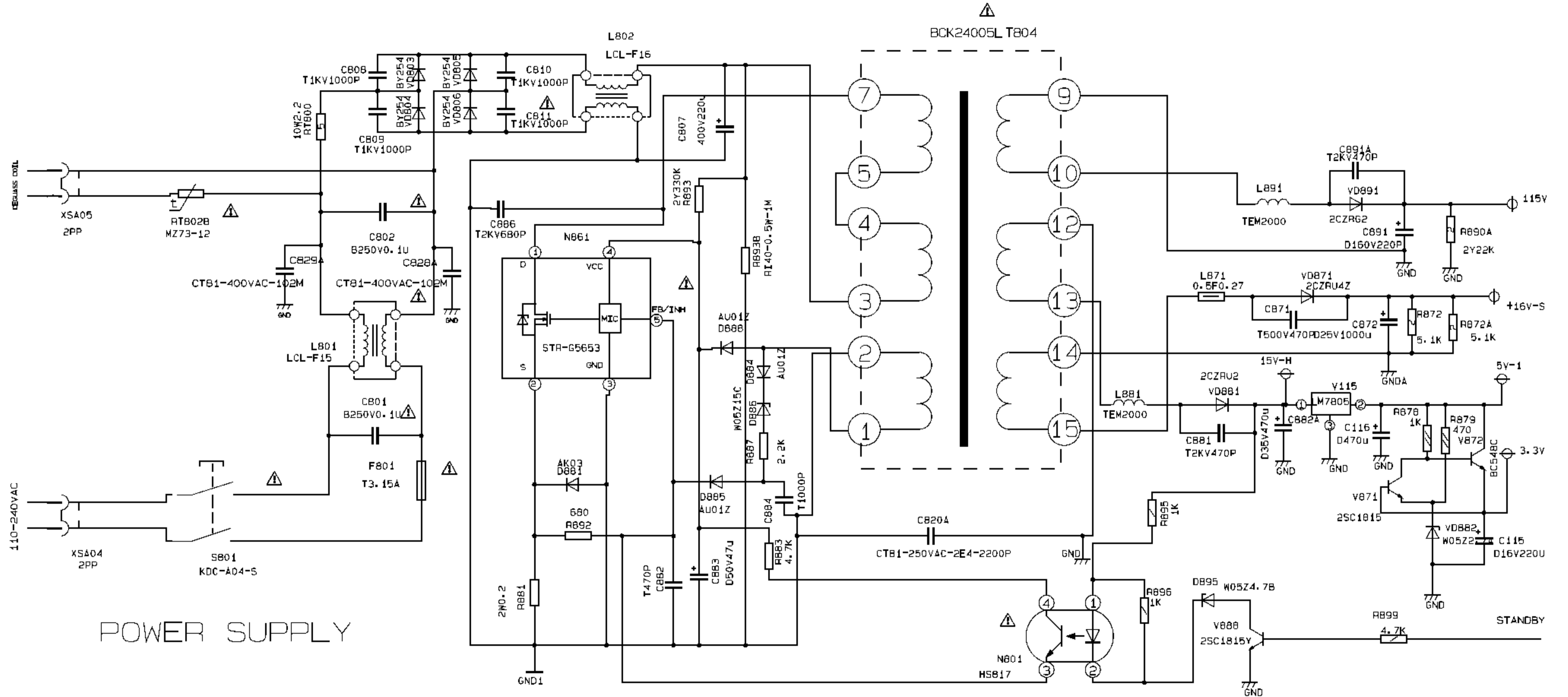


IC BLOCK DIAGRAM

STR-G5653





POWER SUPPLY

STANDBY