

TO **G**  
D-AMP CIRCUIT  
(H5500)  
IN SCHEMATIC  
DIAGRAM - 12

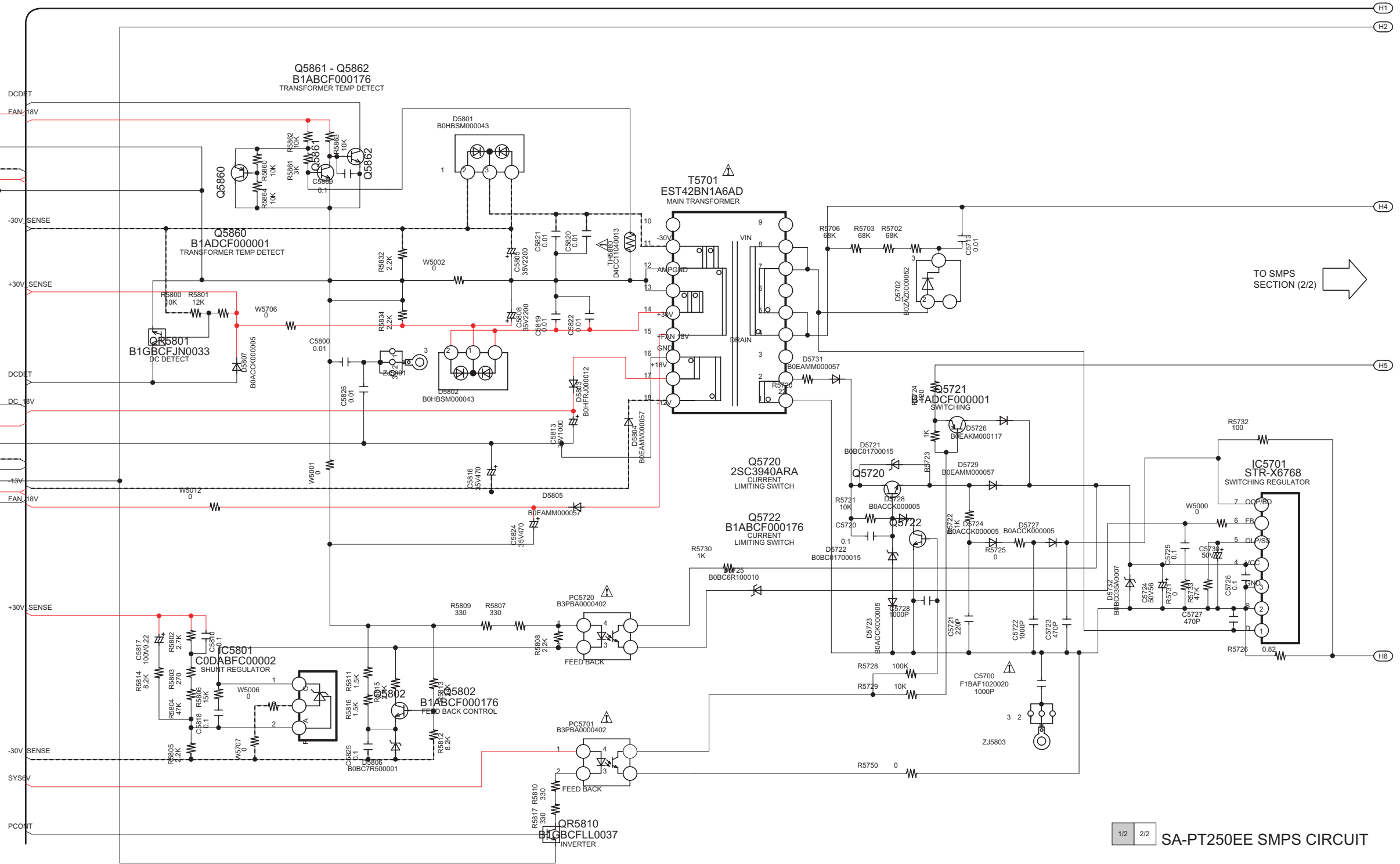
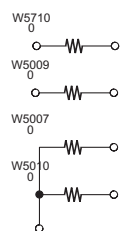
TO **B**  
MAIN CIRCUIT  
(CN2004)  
IN SCHEMATIC  
DIAGRAM - 8

CN5801

F30V_SENSE	8	+30V_SENSE
F30V_SENSE	7	FAN_18V
GND	6	
GND	5	
-30V_SENSE	4	-30V_SENSE
-30V_SENSE	3	FAN_18V
FAN_13V	2	
FAN_GND	1	

CN5802

AM_BP	11	PCONT
PCONT	10	DC_18V
DC18V	9	
DC18V	8	
+18V-12V_GND	7	
+18V-12V_GND	6	
-13V	5	
DCDET	4	
SYS_GND	3	
SYS6V	2	
SYNC	1	



TO SMPS  
SECTION (2/2)