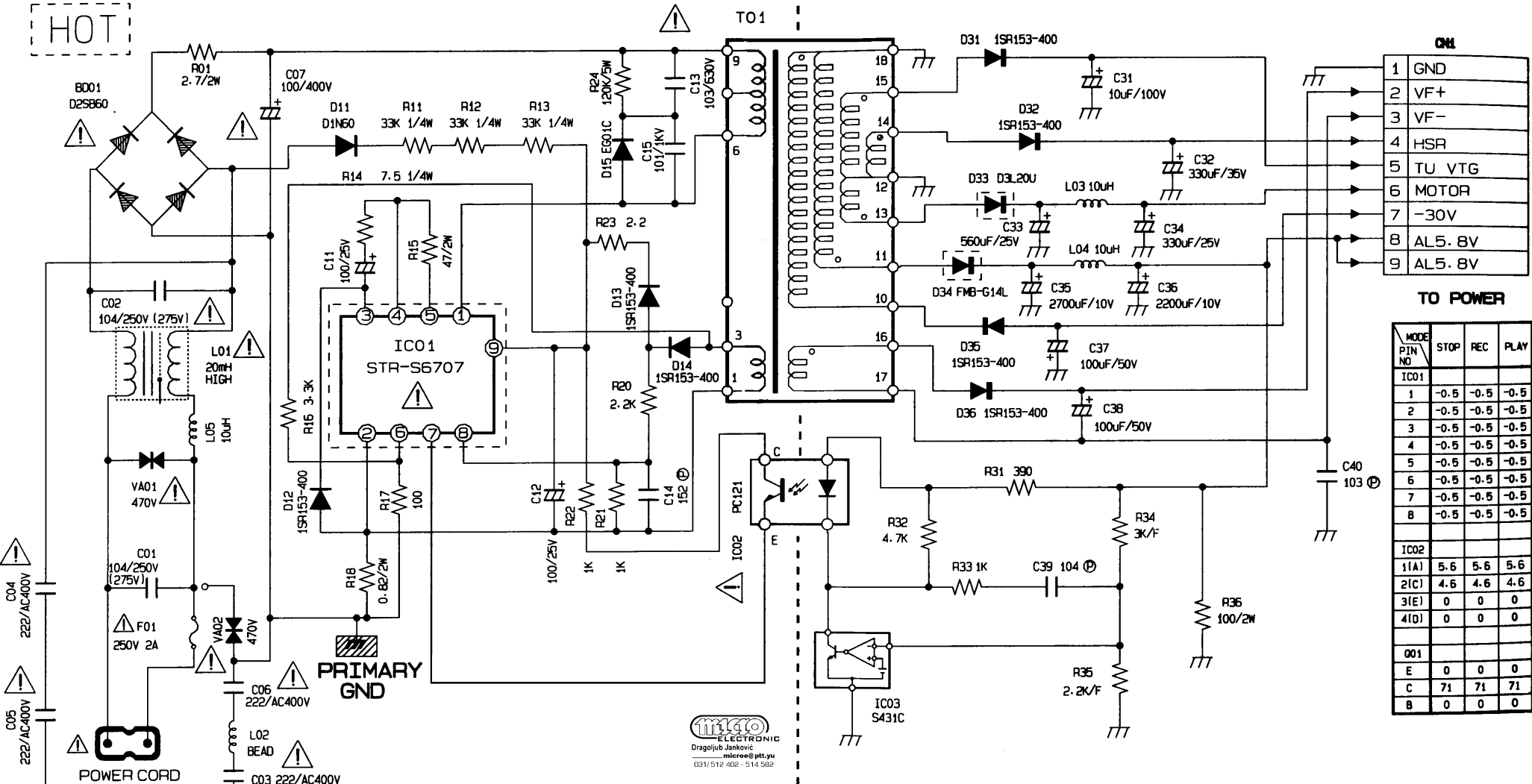


HOT



CONN

1	GND
2	VF+
3	VF-
4	HSR
5	TU VTG
6	MOTOR
7	-30V
8	AL5.8V
9	AL5.8V

TO POWER

MODE	STOP	REC	PLAY
IC01			
1	-0.5	-0.5	-0.5
2	-0.5	-0.5	-0.5
3	-0.5	-0.5	-0.5
4	-0.5	-0.5	-0.5
5	-0.5	-0.5	-0.5
6	-0.5	-0.5	-0.5
7	-0.5	-0.5	-0.5
8	-0.5	-0.5	-0.5
IC02			
1(A)	5.6	5.6	5.6
2(C)	4.6	4.6	4.6
3(E)	0	0	0
4(D)	0	0	0
001			
E	0	0	0
C	71	71	71
B	0	0	0

micro ELECTRONIC
 Dragoljub Jankovic
 _microe@ptt.yu
 031/512 402 - 514 582

HEAT SINK