

**POWER C.B**

BD901  
S1WBA60

C903  
68u/400

C902  
0.1u/250V

L901  
FILTER

C901  
0.1u

V901

SVC681D

R900  
1.5M

FH02

F901  
1.6A/250V

FH01

BK

WH

AC 200-240V  
50Hz

R901  
2.7/2W

C904  
0.022u

R902  
100K/2W

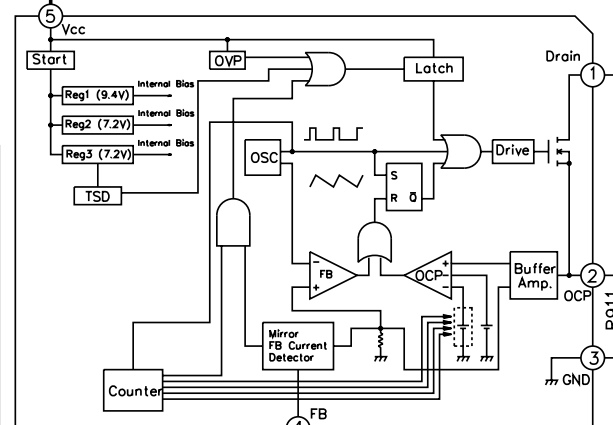
R904  
56K/2W

D901  
EG01CW

C905  
0.01u/630V

C906  
100P/1kV

**IC901  
STR-G6153**



BC901  
BEAD

C900  
47uF/50V

D902  
EU01W

R912  
3.9

R911  
0.51/2W

C907  
220PF

C909  
0.047uF

C913  
3300pF

IC902  
LTV817  
INSULATOR

IC904  
KA431  
(KIA431)

R925  
2.2K

R926  
1K

R927  
3.6K/1%

R928  
3.3K/1%

C928  
0.047u

T901

D907  
EU01W

F902  
N10

C921  
220u/16

D908  
EU01W

R914  
100K

C919  
47u/50V  
(105)

R915  
8.2

ZD901  
MTZ5.6B

C926  
47u/50V  
(105)

C927  
47/16

D910  
ERA18

L902  
22u

C923  
1000u/16  
(105)

C924  
1000u/16  
(105)

L903  
22uH

C925  
330u/10V

R931  
330

D909  
B10A45V1

R924  
330

C916  
470u/25V  
(105)

D906  
RU3YXLF

+8V REG.  
IC905  
KA78R08

C932  
470u/10V

Q907  
KSB1151  
A5V REG.

D911  
1N5402

R930  
10K

C918  
100/16

R921  
1.2K

R922  
120/1W

C934  
100/16

R920  
10K

R923  
10K

POWER CONTROL  
Q908  
KTC3198

CON902

1	GND
2	A 5V
3	GND
4	GND
5	D 5V
6	D 4.2V
7	GND
8	AA 12V
9	GND
10	5VA

TO MAIN C.B  
CN999

CON 904

1	GND
2	A 8V
3	GND
4	A 5V

TO JUNCTION C.B  
CN401

CON903

1	P.CTL
2	GND
3	5VA
4	GND
5	-25V
6	GND
7	VF -
8	VF +

TO TIMER C.B  
CN503