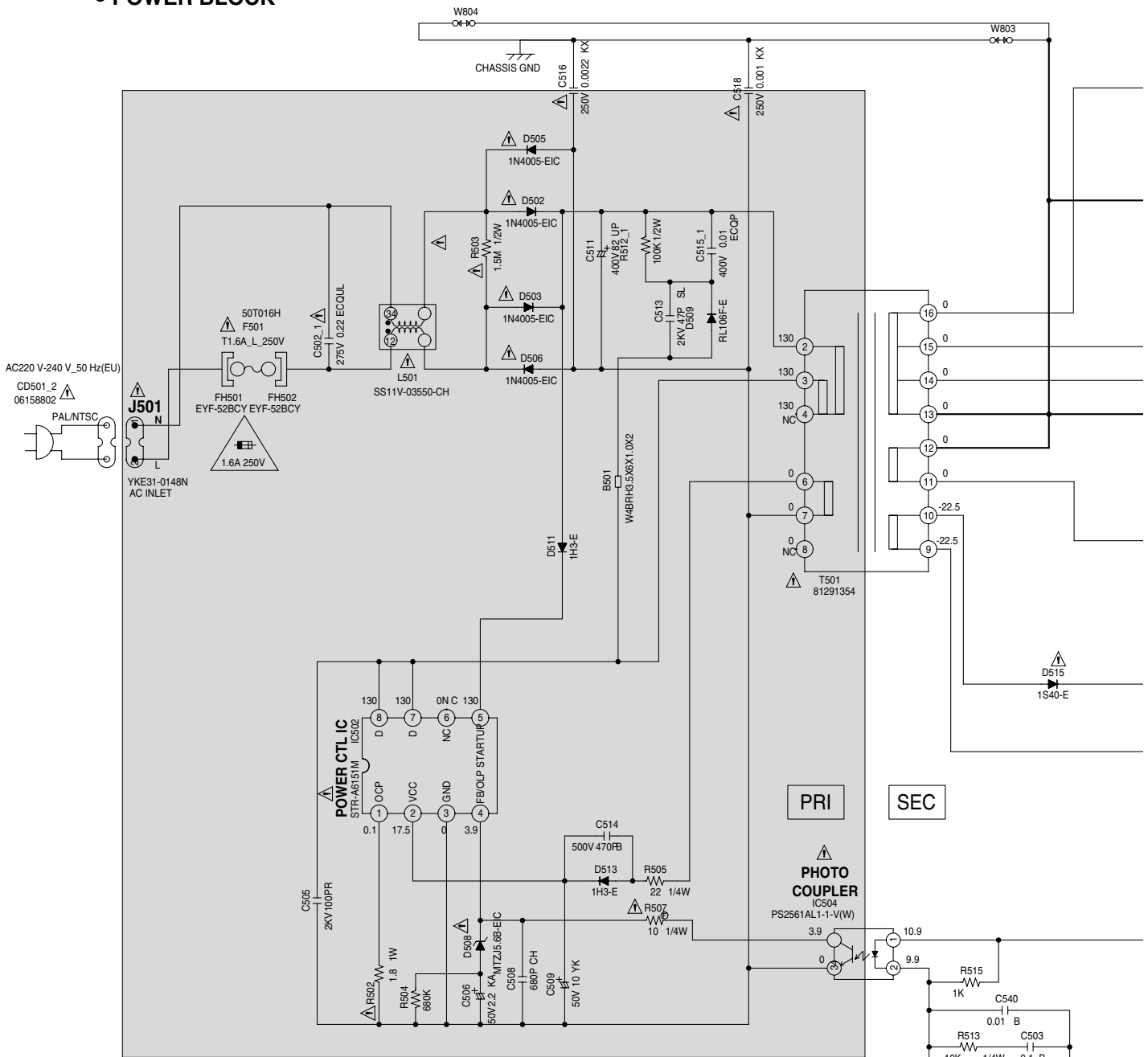


3.11 POWER PCB ASSY (1/2)

F1/2 POWER PCB ASSY (A2I903A240) • POWER BLOCK



• NOTE FOR FUSE REPLACEMENT

CAUTION - FOR CONTINUED PROTECTION AGAINST RISK OF FIRE, REPLACE WITH SAME TYPE AND RATINGS OF FUSE.

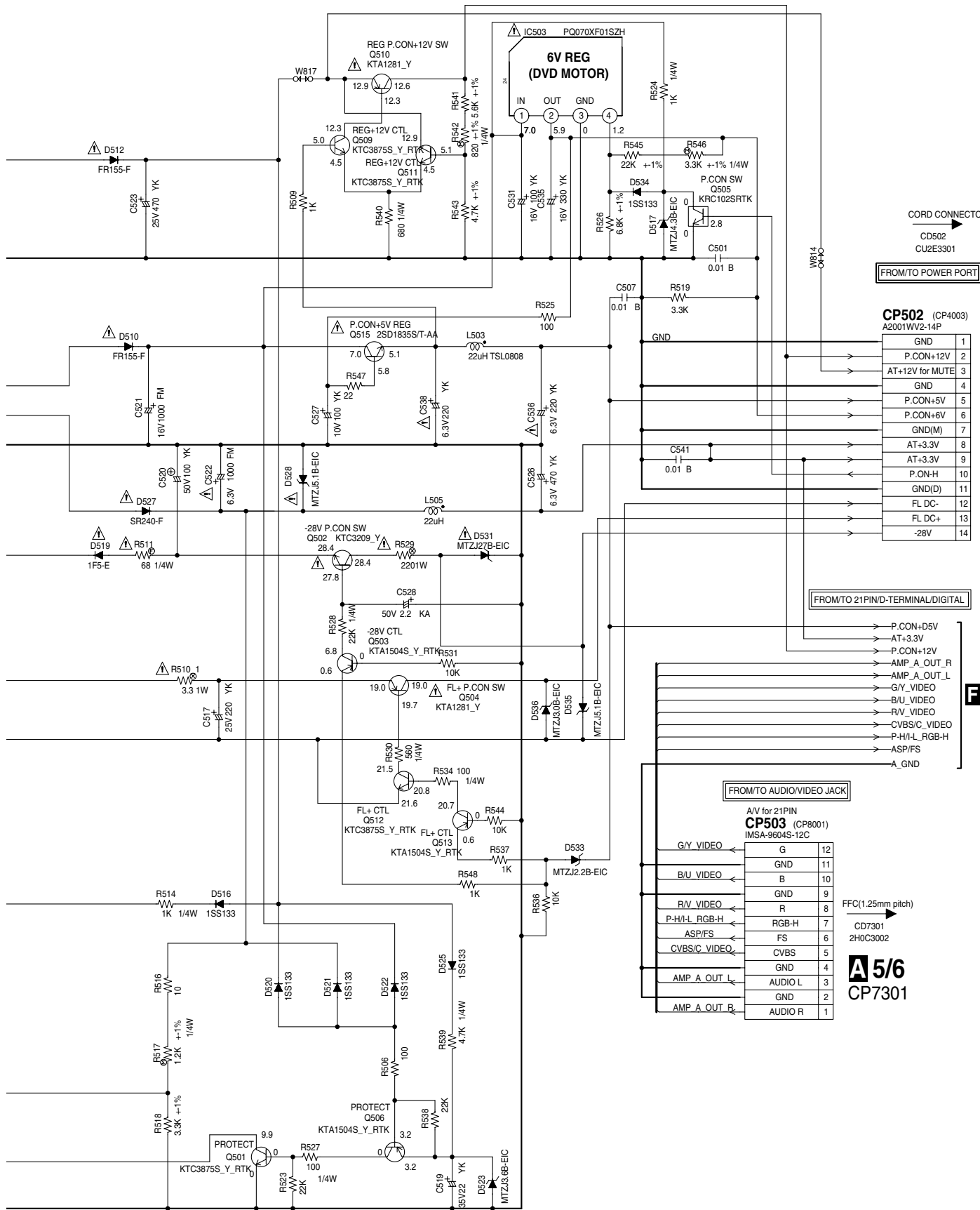


CAUTION : FOR CONTINUED PROTECTION AGAINST FIRE HAZARD, REPLACE ONLY WITH THE SAME TYPE FUSE
1.6A 125V(F501)

ATTENTION : POUR UNE PROTECTION CONTINUE LES RISQUES D'INCENDIE N'UTILISER QUE DES FUSIBLE DE MEME TYPE
1.6A 125V(F501)

CAUTION : SINCE THESE PARTS MARKED BY ⚠ ARE CRITICAL FOR SAFETY, USE ONES DESCRIBED IN PARTS LIST ONLY.

ATTENTION : LES PIECES REPARÉES PAR UN ⚠ ÉTANT DANGEREUSES AN POINT DE VUE SECURITE N'UTILISER QUE CELLS DECRITES DANS LA NOMENCLATURE DES PIECES



CORD CONNECTOR

CD502
CU2E3301

FROM/TO POWER PORT

CP502 (CP4003)
A2001WV2-14P

GND	1
P.CON+12V	2
AT+12V for MUTE	3
GND	4
P.CON+5V	5
P.CON+6V	6
GND(M)	7
AT+3.3V	8
AT+3.3V	9
P.ON-H	10
GND(D)	11
FL DC-	12
FL DC+	13
-28V	14

FROM/TO 21PIN/D-TERMINAL/DIGITAL

- P.CON+5V
- AT+3.3V
- P.CON+12V
- AMP_A_OUT_R
- AMP_A_OUT_L
- G/Y_VIDEO
- B/U_VIDEO
- R/V_VIDEO
- CVBS/C_VIDEO
- P-H/I-L_RGB-H
- ASP/FS
- A_GND

FROM/TO AUDIO/VIDEO JACK

A/V for 21PIN
CP503 (CP8001)
IMSA-9604S-12C

G/Y_VIDEO	G	12
	GND	11
B/U_VIDEO	B	10
	GND	9
R/V_VIDEO	R	8
P-H/I-L_RGB-H	RGB-H	7
ASP/FS	FS	6
CVBS/C_VIDEO	CVBS	5
	GND	4
AMP_A_OUT_L	AUDIO L	3
	GND	2
AMP_A_OUT_R	AUDIO R	1

FFC(1.25mm pitch)
CD7301
2H0C3002

A 5/6
CP7301

NOTE : THIS SCHEMATIC DIAGRAM IS THE LATEST AT THE TIME OF PRINTING AND SUBJECT TO CHANGE WITHOUT NOTICE

NOTE : THE DC VOLTAGE EACH PART WAS MEASURED WITH THE DIGITAL TESTER DURING PLAYBACK.

CAUTION: DIGITAL TRANSISTOR



F 1/2