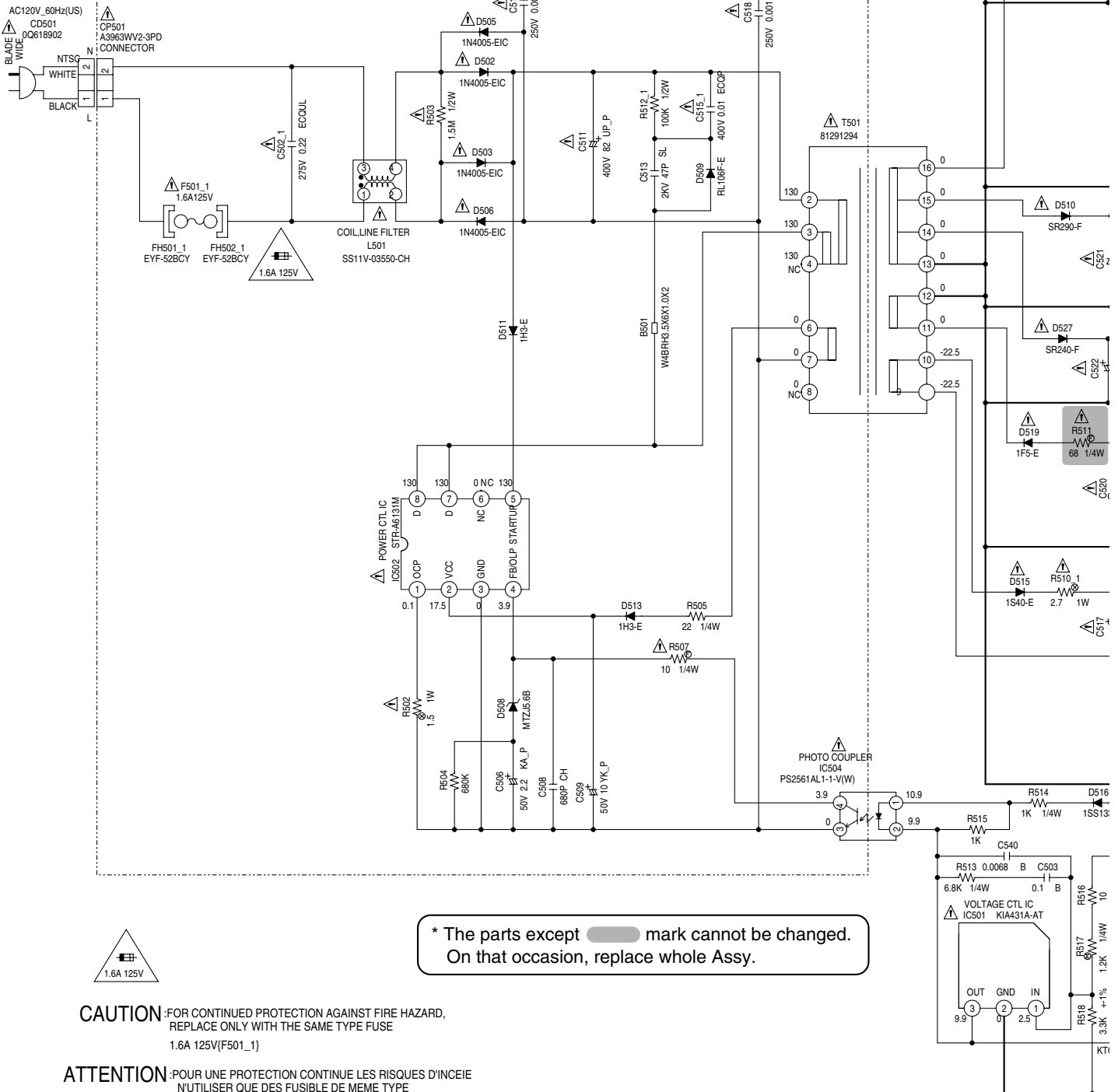


PRIMARY side

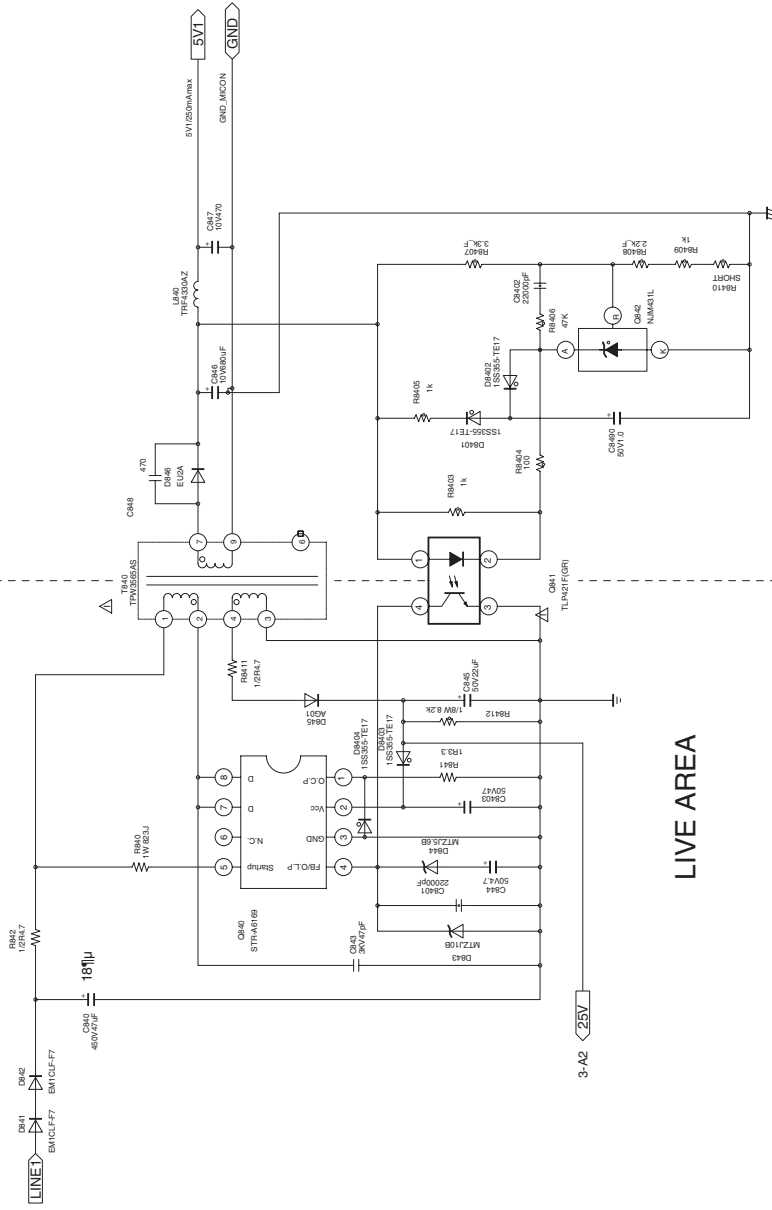


* The parts except [shaded circle] mark cannot be changed.
On that occasion, replace whole Assy.

CAUTION :FOR CONTINUED PROTECTION AGAINST FIRE HAZARD,
REPLACE ONLY WITH THE SAME TYPE FUSE
1.6A 125V(F501_1)

ATTENTION :POUR UNE PROTECTION CONTINUE LES RISQUES D'INCEIE
N'UTILISER QUE DES FUSIBLE DE MEME TYPE

1.6A 125V(F501_1)



LIVE AREA