

1.9 Switch-mode Power Supply STR- W68XX

(1) General Description

The STR-W6800 Series are thick-film ICs for Quasi-Resonant flyback SMPS with MOSFET and control built-in, featuring fewer external components, simplified circuit design, small-size and standard power supply.

"STR-W6800 Series ICs" offers three operation modes: Quasi-Resonant, Multi-Bottom Skip and Time Fix Control, thus guaranteeing high efficiency in all loading areas by means of the automatic change-over of the operation modes.

QR---- Quasi-Resonant operation at the time of heavy load

MBS---- Multi-Bottom Skip operation at the time of medium load for preventing oscillating frequency rising up and fixing operating frequency

TFC---- Time Fix Control at the time of light load such as stand-by load

By adopting chip-on-chip construction, even small package can deal with big power.

(2) Features

- Seven-pin small SIP style package FM207 (generally called TO220), affording dielectric isolation
- Guarantees space of 1.8mm between high voltage pin and other pins, thus high voltage MOSFET built-in allowed
- Offers low startup current by employing BCD-Process
- Automatic change-over of QR and MBS operations
With MOSFET turn-on at the bottom of VDS, "STR-W 6800 Series ICs" offers high efficiency and low noise at the wide areas from the heavy load to stand-by load and fixed operating frequency, and enables SMPS to become smaller.
- TFC operation delivers low-power standby mode for fixing turn-on time, enabling external components to adjust turn-on time.
- Avalanche breakdown energy-guaranteed and high damage-resistance power MOSFET
By guaranteeing avalanche breakdown energy of built-in power MOSFET, "STR-W 6800 Series ICs" simplifies design of absorption circuit of surge voltage without VDSS residual considered during design.
- MOSFET fixed voltage drive circuit built in
- Various protection functions
Pulse-by-pulse over-current protection
Over-voltage protection →lockout
Over-load protection →lockout
Thermal protection →lockout (not for STR-W6854/6)

(3) Block Diagram

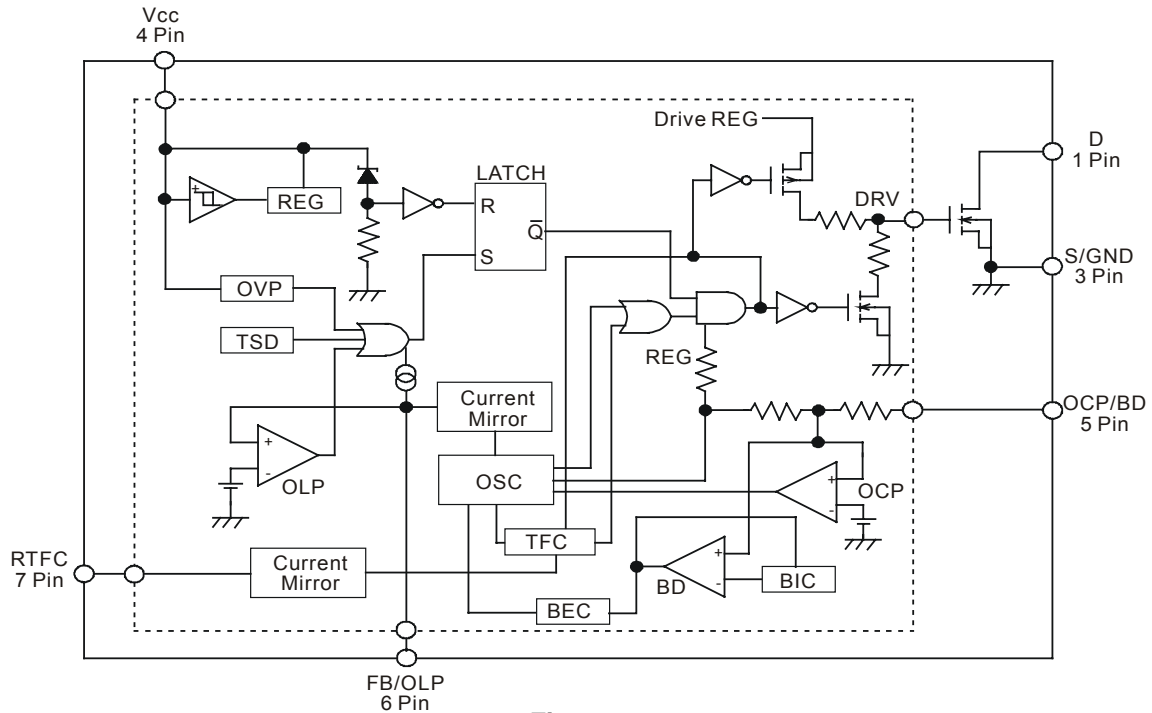


Fig. 22

(4) Pinning

Table 11

Pin No.	Symbol	Name	Function Description
1	D	Source for MOSFET	
2	NC		
3	S/GND	Source/GND for MOSFET	Source/ GND for Control
4	Vcc	Supply voltage	
5	OCP/BD	Over-current protection detection/Bottom detection	
6	FB/OLP	Feedback/Over-load protection detection	
7	RTFC	Time Fix Control regulation	

(5) Refer to Table 18 about Functions and Data of the IC's Pins.