

GENERAL DESCRIPTION

OB2288 is a highly integrated current mode PWM controller. With internal maximum 50% duty cycle limit, it is very suitable to be used in large power applications, especially in forward topology.

OB2288 offers comprehensive protection coverage including Cycle-by-Cycle current limiting, internal Power-On Soft Start, VDD Under Voltage Lockout (UVLO), VDD Over Voltage Protection(OVP), VDD Clamp, Gate Clamp, Over Load Protection(OLP), Over Temperature Protection (OTP), Brownout Protection (BOP). OB2288 also features protections against pin open and short conditions on selected pins.

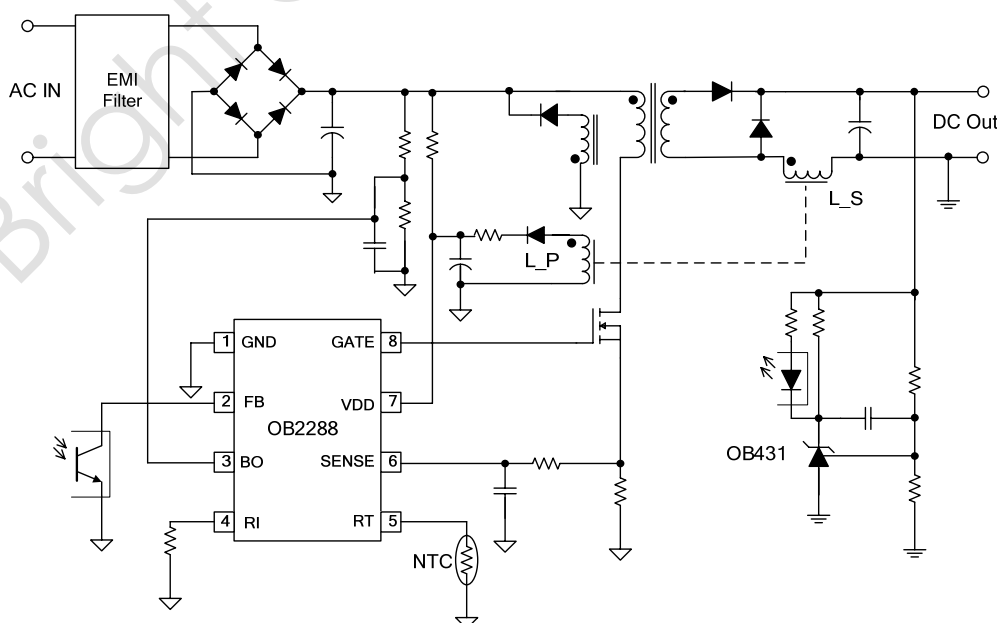
Moreover, an internal 1-second restart timer prevents permanent OLP latch when the supply of the controller is provided by other DC sources. In general applications where supply is self biased by auxiliary winding, this restart timer will never be triggered.

In OB2288, On-Bright proprietary frequency shuffling technique together with soft switching control at the totem pole gate drive output help to lower the system design barrier to achieve good EMI performance.

To meet the increasing stringent standby power requirements at light or no load condition, On-Bright proprietary "Extended Burst Mode" technology eases the system design with high performance and without compromise in audio noise.

OB2288 is offered in SOP-8 and DIP-8 packages.

TYPICAL APPLICATION



FEATURES

- Maximum 50% Duty Cycle Limit
- AC Line Brownout Detection & Protection (BOP)
- Latch-off Mode Fault Protection
- Internal Restart Timer
- All Pins Floating Protection and RI Short Protection
- Proprietary Extended Burst Mode Control For Improved Efficiency and Minimum Standby Power Design
- Audio Noise Free Operation
- External Programmable PWM Switching Frequency
- Built-in Frequency Shuffling for Better EMI
- Internal Leading Edge Blanking
- High Precision Reference Voltage for OTP and Brownout Protection
- Power-On Soft Start
- Internal Synchronized Slope Compensation
- 1A Peak Current Drive Capability

APPLICATIONS

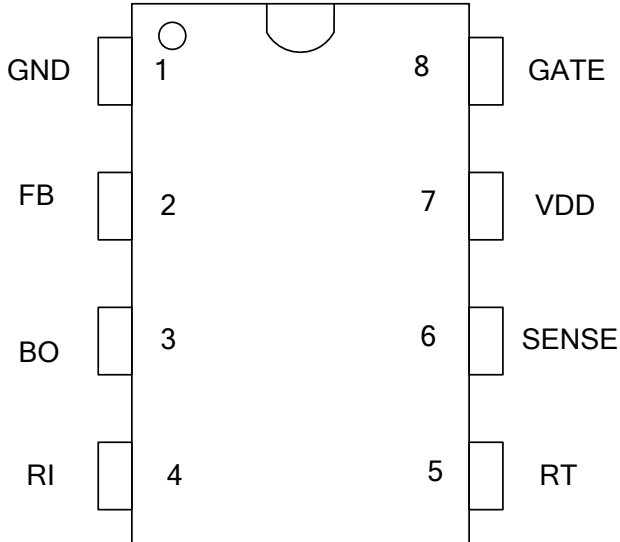
Offline AC/DC Converter for

- LCD TV/PC Power Supplies
- Open-Frame SMPS

GENERAL INFORMATION

Pin Configuration

The pin map of OB2288 in DIP8 and SOP8 package is shown as below.



Ordering Information

Part Number	Description
OB2288AP	DIP8, Pb-free in Tube
OB2288CP	SOP8, Pb-free in Tube
OB2288CPA	SOP8, Pb-free in Taping

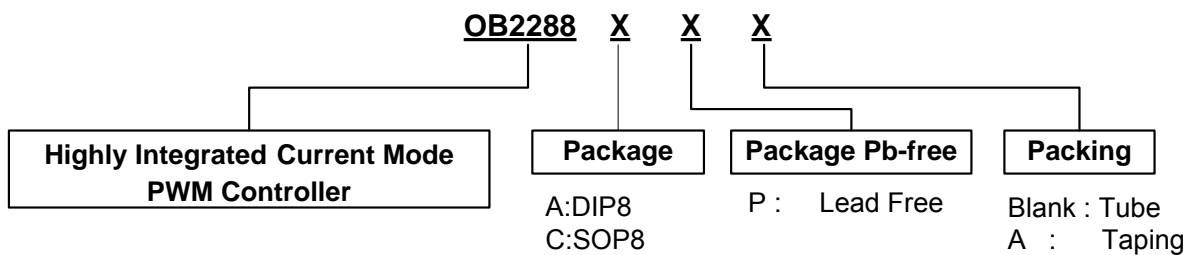
Package Dissipation Rating

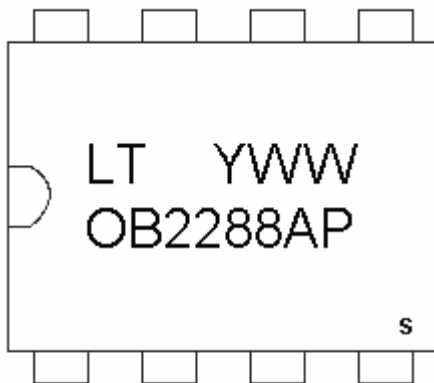
Package	R θ JA (°C/W)
DIP8	90
SOP8	150

Absolute Maximum Ratings

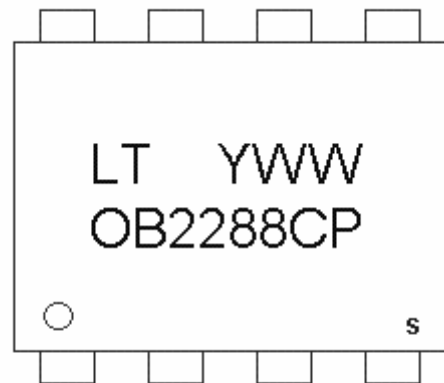
Parameter	Value
VDD Zener Clamp Voltage (V _{clamp})	31 V
VDD Zener Clamp Continuous Current	10 mA
BO Input Voltage	-0.3 to 7V
FB Input Voltage	-0.3 to 7V
SENSE Input Voltage	-0.3 to 7V
RT Input Voltage	-0.3 to 7V
RI Input Voltage	-0.3 to 7V
Min/Max Operating Junction Temperature T _j	-20 to 150 °C
Min/Max Storage Temperature T _{stg}	-55 to 150 °C
Lead Temperature (Soldering, 10secs)	260 °C

Note: Stresses beyond those listed under "absolute maximum ratings" may cause permanent damage to the device. These are stress ratings only, functional operation of the device at these or any other conditions beyond those indicated under "recommended operating conditions" is not implied. Exposure to absolute maximum-rated conditions for extended periods may affect device reliability.



Marking Information
DIP8


A: DIP8 Package
 P: Pb-free Package
 Y: Year Code(0-9)
 WW: Week Code(01-52)
 S: Internal Code

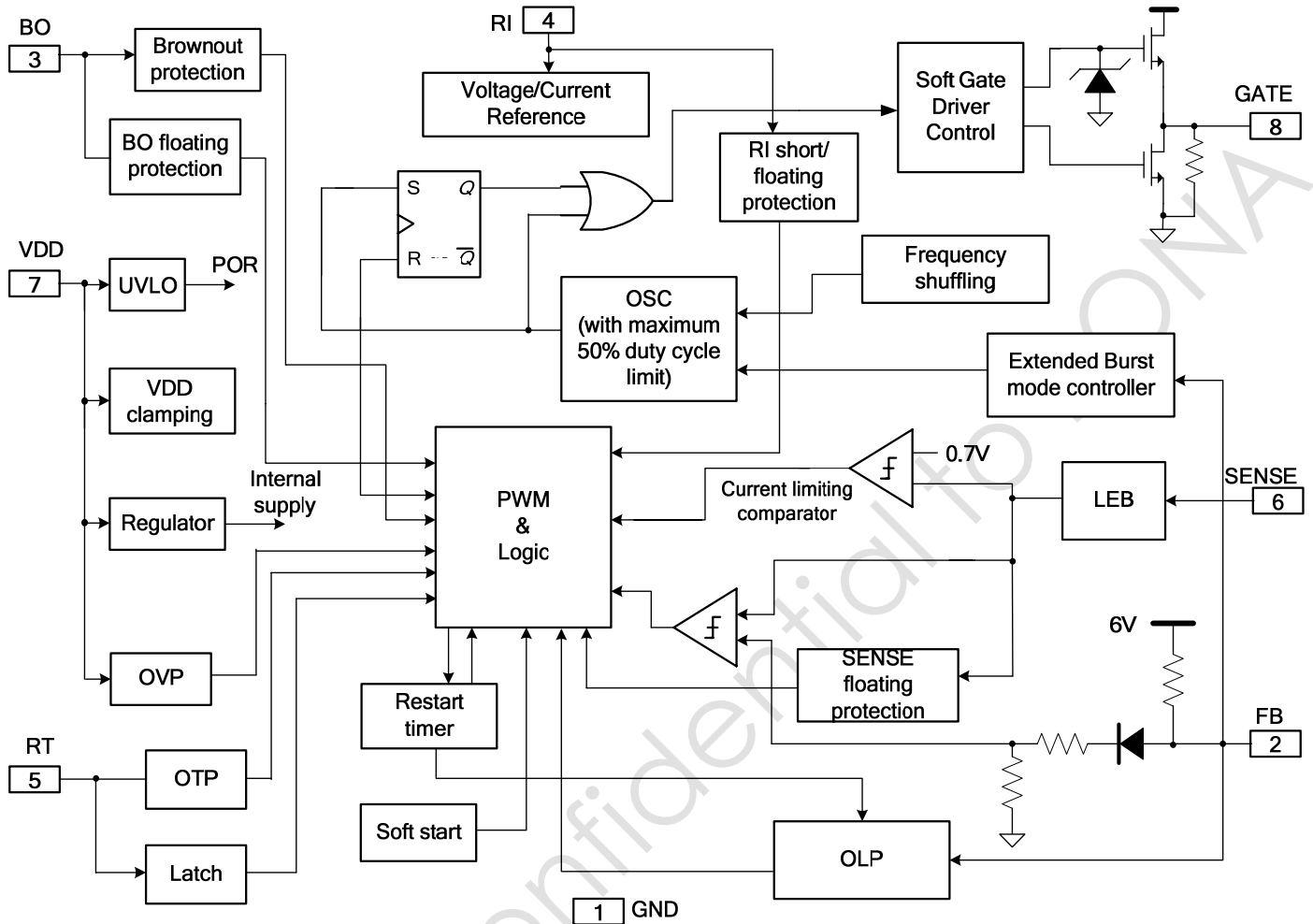
SOP8


C: SOP8 Package
 P: Pb-free Package
 Y: Year Code(0-9)
 WW: Week Code(01-52)
 S: Internal Code

TERMINAL ASSIGNMENTS

Pin Num	Pin Name	I/O	Description
1	GND	P	Ground.
2	FB	I	Feedback input pin. PWM duty cycle is determined by voltage level at this pin and current-sense signal level at Pin 6.
3	BO	I/O	Brownout detection pin. Detects line voltage through a resistor divider. If the voltage at this pin drops below 1.05V and lasts 50ms, brownout is triggered and PWM output will be disabled.
4	RI	I	Internal oscillator frequency setting pin. A resistor connected between RI and GND sets the PWM frequency.
5	RT	I	Dual function pin. Either connected through a NTC resistor to GND for over temperature shutdown control or used as latch shutdown control input.
6	SENSE	I	Current sense input pin. Connected to MOSFET current sensing resistor node.
7	VDD	P	DC power supply pin.
8	GATE	O	Totem-pole gate drive output for power MOSFET.

BLOCK DIAGRAM



RECOMMENDED OPERATING CONDITION

Symbol	Parameter	Min	Max	Unit
VDD	VDD Supply Voltage	11.5	25	V
RI	RI Resistor Value	10	40	Kohm
T _A	Operating Ambient Temperature	-20	85	°C

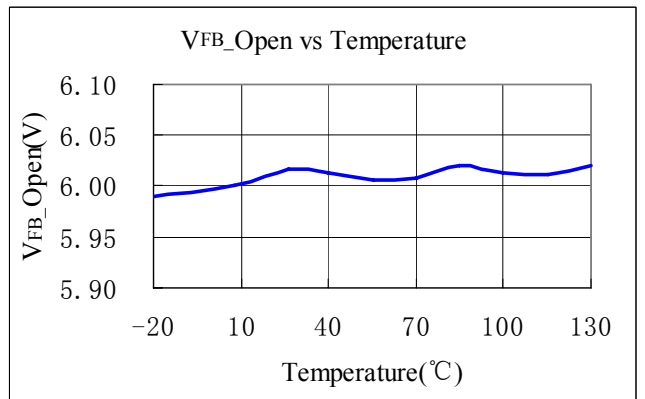
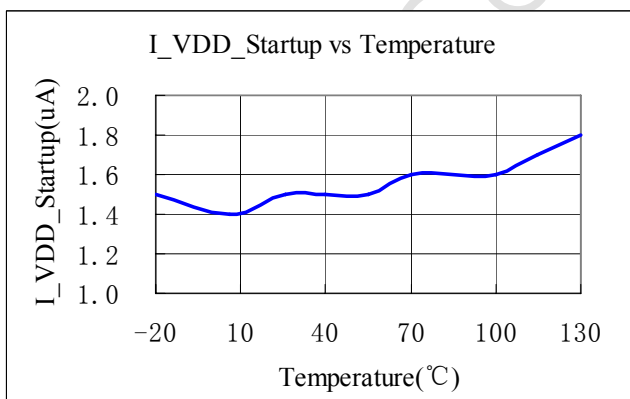
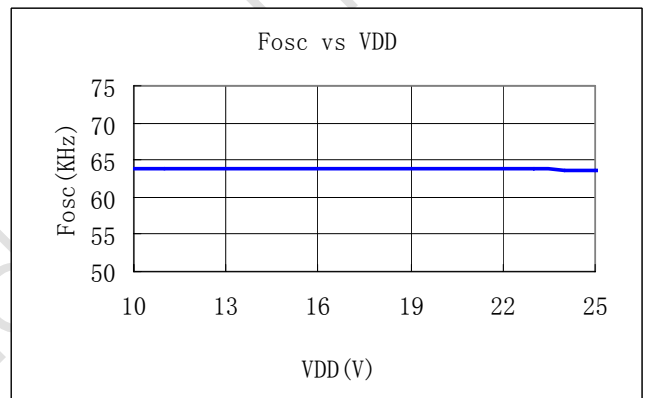
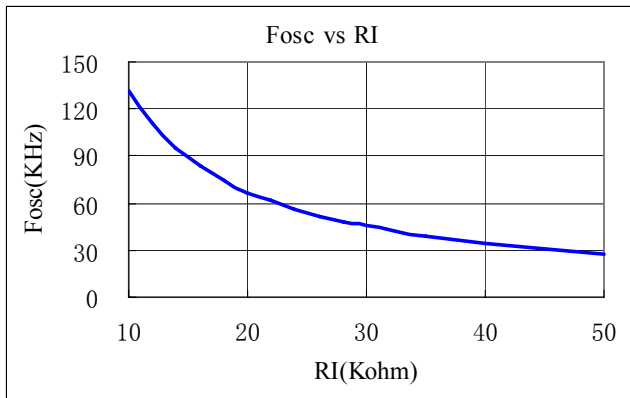
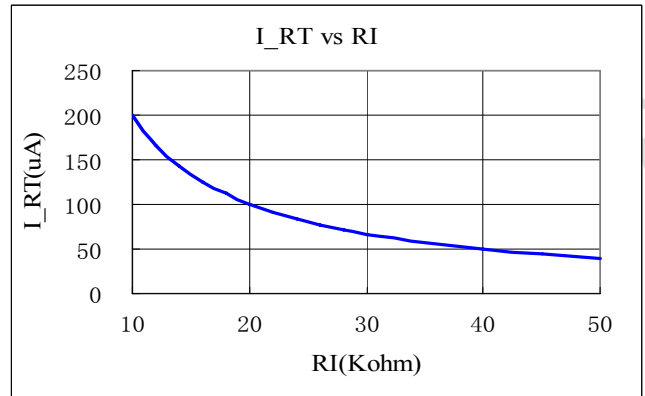
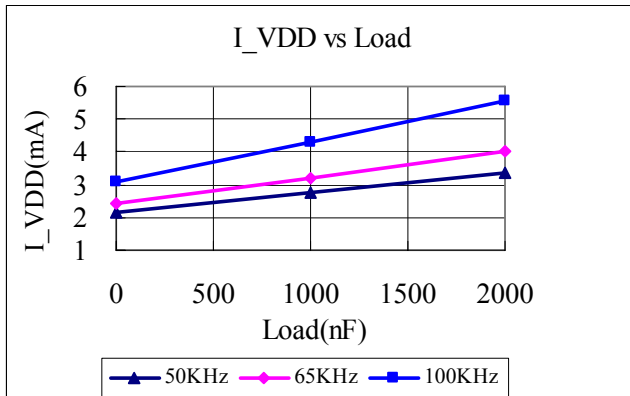
ELECTRICAL CHARACTERISTICS

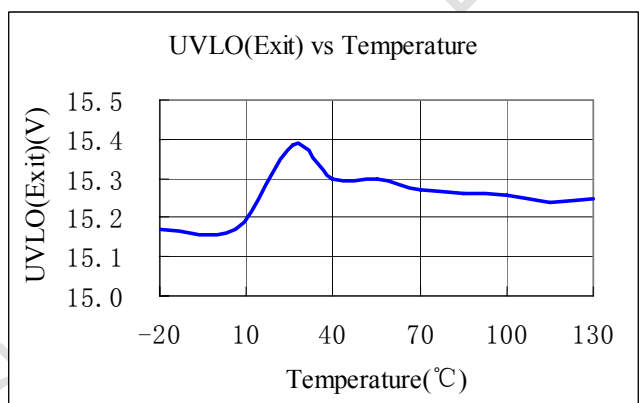
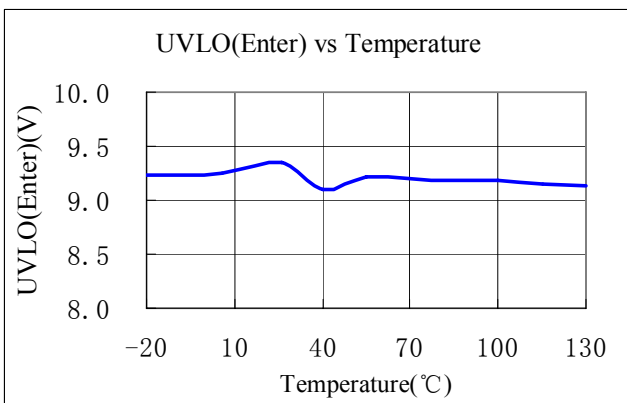
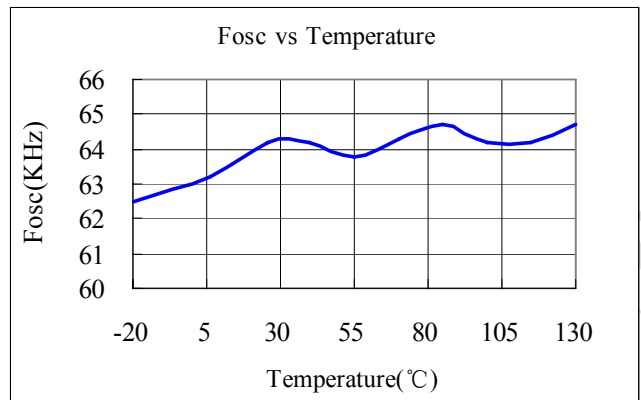
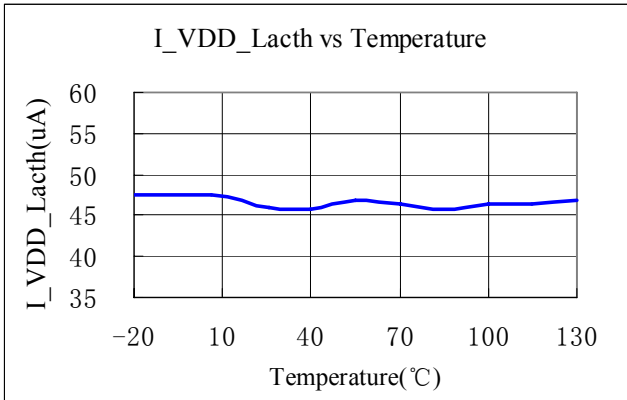
 (T_A = 25°C, R_I=20K ohm, V_{DD}=16V, if not otherwise noted)

Symbol	Parameter	Test Conditions	Min	Typ	Max	Unit
Supply Voltage (VDD) Section						
I _{VDD_Startup}	VDD Startup Current	VDD=13.5V		5	20	uA
I _{VDD_Ops}	Operation Current	V _{FB} =3V		2.3		mA
UVLO(Enter)	VDD Under Voltage Lockout Enter		8	9	10	V
UVLO(Exit)	VDD Under Voltage Lockout Exit		14.2	15.2	16.2	V
OVP	VDD Over Voltage Protection		26	28	30	V
T _{D_OVP}	VDD OVP Debounce Time			100		uSec
VDD_De-Latch	Latch Release Voltage Threshold			6.5		V
I _{VDD_Latch}	VDD Current at Latch Shutdown	VDD=8V		45		uA
V _{DD_Clamp}	V _{DD} Zener Clamp Voltage	I(V _{DD}) = 15 mA		31		V
T _{Softstart}	Soft Start Time			4		mSec
Feedback Input Section(FB Pin)						
A _{VCS}	PWM Input Gain	$\Delta V_{FB} / \Delta V_{cs}$		2.2		V/V
V _{FB_Open}	FB Pin Open Voltage	VDD=18V		6		V
I _{FB_max}	FB Pin Maximum Source Current	VDD=18V, Short FB pin to GND.		1.1		mA
V _{FB_TH}	Zero Duty Cycle Threshold Voltage	VDD=9.5V, V _{sense} =0V	0.9	1	1.1	V
V _{TH_BM}	Burst Mode FB Threshold Voltage			1.6		V
V _{TH_PL}	Power Limiting FB Threshold Voltage			4.4		V
T _{D_PL}	Power Limiting Debounce Time			250		mSec
Z _{FB_IN}	Input Impedance			6		Kohm
Current Sense Input(Sense Pin) Section						
T _{blanking}	Sense Input Leading Edge Blanking Time	VDD=18V		300		nSec
V _{TH_OC}	Internal Current Limiting Comparator Threshold		0.67	0.7	0.73	V
T _{D_OC}	Propagation delay to GATE	CL=1nF at GATE		70		nSec
Oscillator Section						
F _{osc}	Normal Oscillation Frequency		60	65	70	KHz
ΔF(shuffle)/Fosc	Frequency Shuffling Range		-4		4	%
F _{shuffle}	Frequency Shuffling Cycling Frequency			32		Hz
Δf_Temp	Frequency Temperature Stability	-20°C to 100°C		3		%

Δf_{VDD}	Frequency Voltage Stability	VDD = 12-25V		3		%
Dmax	Max Duty Cycle		45	48	50	%
Dmin	Min Duty Cycle		-	-	0	%
RI_range	Operating RI Range		10	20	40	Kohm
V _{RI}	RI Operation Voltage			2.0		V
F _{BM}	Burst Mode Pulse Switching Frequency			22		KHz
Gate Drive Output						
VOL	Low Output Voltage	I _o = 30 mA (sink)			0.3	V
VOH	High Output Voltage	I _o = 30 mA (source)	11			V
VG_Clamp	Output Clamp Voltage	VDD=25V		17		V
T _r	Rising Time	CL = 1nF, 10-90%.		70		nSec
T _f	Falling Time	CL = 1nF, 10-90%.		30		nSec
Over Temperature Protection						
I _{RT}	RT Pin Source Current	VDD = 18V		100		uA
V _{TH_OTP}	OTP Threshold Voltage	VDD = 18V	1.0	1.05	1.1	V
V _{TH_OTP_off}	OTP Recovery Threshold Voltage	VDD = 18V		1.15		V
V _{TH_RT_latch}	RT Input Latch Threshold Voltage	VDD = 18V		0.6		V
T _{D_OTP}	OTP De-bounce Time	VDD = 18V		100		uSec
V _{RT_Open}	RT Pin Floating Voltage	VDD = 18V		3.2		V
Brownout Section						
V _{th_BO}	Brownout Threshold		1.0	1.05	1.1	V
T _{D_BO}	Brownout Debounce Time			50		mSec
IBO_hys	Source Current for Brownout Hysteresis Programming			2		uA
Restart Timer Section						
RST_auto	Auto Recovery Restart Timer			1		Sec

CHARACTERIZATION PLOT





OPERATION DESCRIPTION

OB2288 is a highly integrated PWM controller IC optimized for forward mode converter applications. The versatile protections and high performance make it very suitable for large power applications.

● **Startup Current and Startup Control**

Startup current of OB2288 is designed to be very low so that VDD could be charged up above UVLO(exit) threshold level and device starts up quickly. A large value startup resistor can therefore be used to minimize the power loss yet reliable startup in application. For a typical AC/DC adaptor with universal input range design, a 2 MΩ, 1/8 W startup resistor could be used together with a VDD capacitor to provide a fast startup and yet low power dissipation design solution.

● **Operating Current**

The Operating current of OB2288 is low at 2.3mA. Good efficiency is achieved with OB2288 low operating current together with extended burst mode control schemes at zero or light load condition.

● **Extended Burst Mode Operation**

At zero load or light load condition, most of the power dissipation in a switching mode power supply is from switching loss on the MOSFET transistor, the core loss of the transformer and the loss on the snubber circuit. The magnitude of power loss is proportional to the number of switching events within a fixed period of time. Reducing switching events leads to the reduction on the power loss and thus conserves the energy.

OB2288 self adjusts the switching mode according to the loading condition. At no load or light load conditions, the FB input drops below burst mode threshold level. Device enters Burst Mode control. The Gate drive output switches only when VDD voltage drops below a preset level and FB input is active to output an on state. Otherwise the gate drive remains at off state to minimize the switching loss thus reduce the standby power consumption to the greatest extend.

The nature of high frequency switching also reduces the audio noise at any loading conditions.

● **Oscillator/Frequency Shuffling Operation**

A resistor connected between RI and GND sets the constant current source to charge/discharge the internal cap and thus the PWM oscillator frequency is determined. The relationship between RI and switching frequency follows the below equation

within the specified RI in Kohm range at nominal loading operational condition.

$$F_{osc} = \frac{1300}{RI(Kohm)} (Khz)$$

In OB2288, the proprietary frequency shuffling method can soften the EMI signature by spreading the energy in the vicinity of the main switching component and its harmonics. The magnitude of shuffling lies in the range of ±4% of the main switching frequency.

● **Current Sensing and Leading Edge Blanking**

Cycle-by-Cycle current limiting is offered in OB2288 current mode PWM control. The switch current is detected by a sense resistor into the SENSE pin. An internal leading edge blanking circuit chops off the SENSE voltage spike at initial MOSFET on state due to snubber diode reverse recovery so that the external RC filtering on SENSE input is no longer needed. The current limit comparator is disabled and can not turn off the external MOSFET during the blanking period. The PWM duty cycle is determined by the current SENSE input voltage and the FB input voltage.

● **Over Temperature Protection with Latch Shutdown**

A NTC resistor in series with a regular resistor should be connected between RT and GND for temperature sensing and protection. NTC resistor value becomes lower when the ambient temperature rises. With a fixed internal current I_{RT} flowing through the resistors, the voltage at RT pin becomes lower at high temperature. The internal OTP circuit is triggered and shuts down the MOSFET when the sensed input voltage is lower than V_{TH_OTP} . It is selectable for auto recover or latched shutdown.

● **RT Pin Used as Latch Shutdown Input Control**

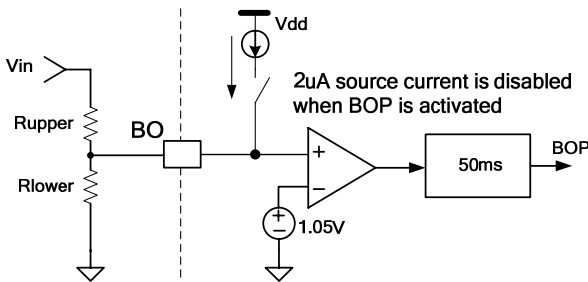
RT pin could also be used as a control input to implement system latch shutdown function.

An example is to implement system OVP protection with a latch shutdown function through a photo coupler and affiliated circuits. When OVP detection signal connected to RT is lower than V_{TH_OTP} OB2288 controls system into latch shutdown. The recovery of the AC/DC system could only be realized by resetting internal latch when VDD voltage drops below VDD_De-latch

value. This could be achieved by unplugging/re-plugging of AC source in AC start-up configuration.

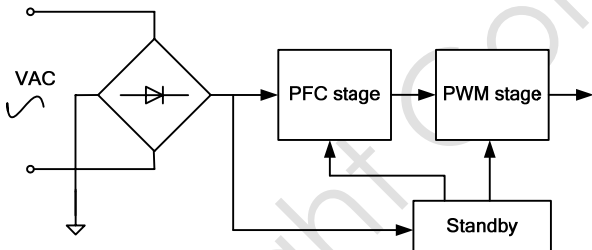
● **Brownout Protection**

By monitoring the voltage level on pin BO during normal operation, the controller protects the SMPS against low main condition. When BO voltage level falls below 1.05V, and if it lasts for about 50ms, the controller stops pulsing until this level goes back and the operation resumes. By adjusting the resistor divider connected between the high input voltage and this pin, start and stop levels are programmable.



● **Restart Timer**

In some special applications, such as LCDTV, the power supply of PWM stage is provided by other DC source and it is always on. The following diagram shows an AC/DC part of the LCDTV. The front end is a PFC stage, followed by a PWM stage. A stand alone standby converter provides the DC power supply for both PWM and PFC stages.



In such conditions, for example, when the over loading protection (OLP) occurs, PWM stage will be latched of and it will not recover since it is powered by the standby DC supply. OB2288 overcomes this shortcoming by an internal restart timer. When OLP occurs, the timer begins counting. When counting over, the OLP states will be cleared. System tends to restart and auto-recover. If OLP

still exists, then another counting cycle begins. The counting time in OB2288 is 1 second. Therefore, the nominal operation of OLP is not disturbed.

● **Pin Floating and Short Protection**

OB2288 provides pin floating protection for RI, SENSE, FB, etc., and RI pin short protection. In cases when the pin are floating or RI pin is shorted to ground, PWM switching is disabled, thus protect the power system.

● **Overload Operation**

When over load (for example, short circuit) occurs, a fault is detected. If this fault is present for more than 250ms, OB2288 enters an auto-recovery soft burst mode. All pulses are stopped, VDD will drops below UVLO and the controller will try to restart, with the power-on soft start. The SMPS resumes operation if the fault has gone. Otherwise, a burst sequence starts again.

● **Soft Start**

OB2288 features an internal 4ms soft start to soften the constraints occurring in the power supply during startup. It is activated during the power on sequence. As soon as VDD reaches UVLO(exit), the peak current is gradually increased from nearly zero to the maximum clamping level 0.7V. The soft start is also activated during OLP sequence. Every restart attempt is followed by soft start.

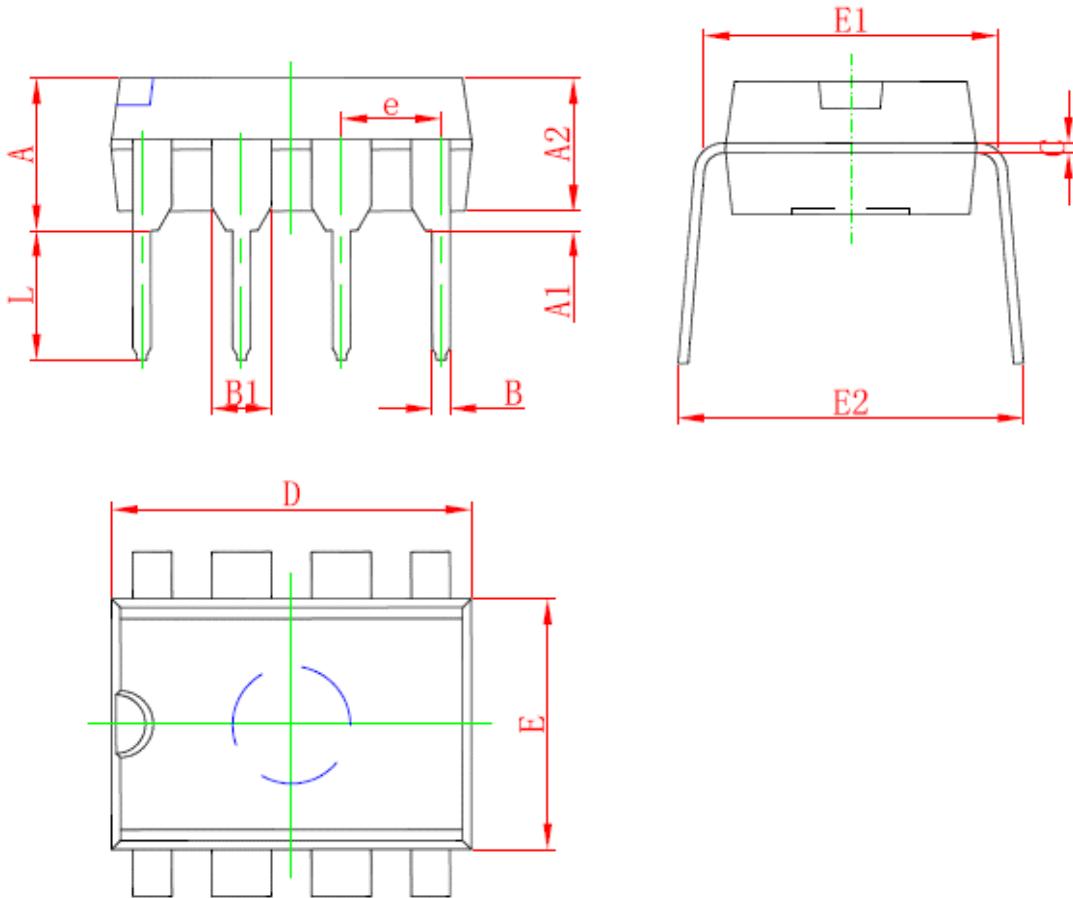
● **Gate Drive**

The PWM output is connected to the Gate of an external MOSFET for power switch control. Too weak the gate drive strength results in higher conduction and switch loss of MOSFET, on the another hand, too strong gate drive output will compromise EMI.

Good tradeoff is achieved through the built-in totem pole gate drive design with right output strength and dead time control. The low idle loss and good EMI system design is easy to be achieved with this dedicated control scheme. An internal 17V clamp is added for MOSFET gate protection at higher than expected VDD input.

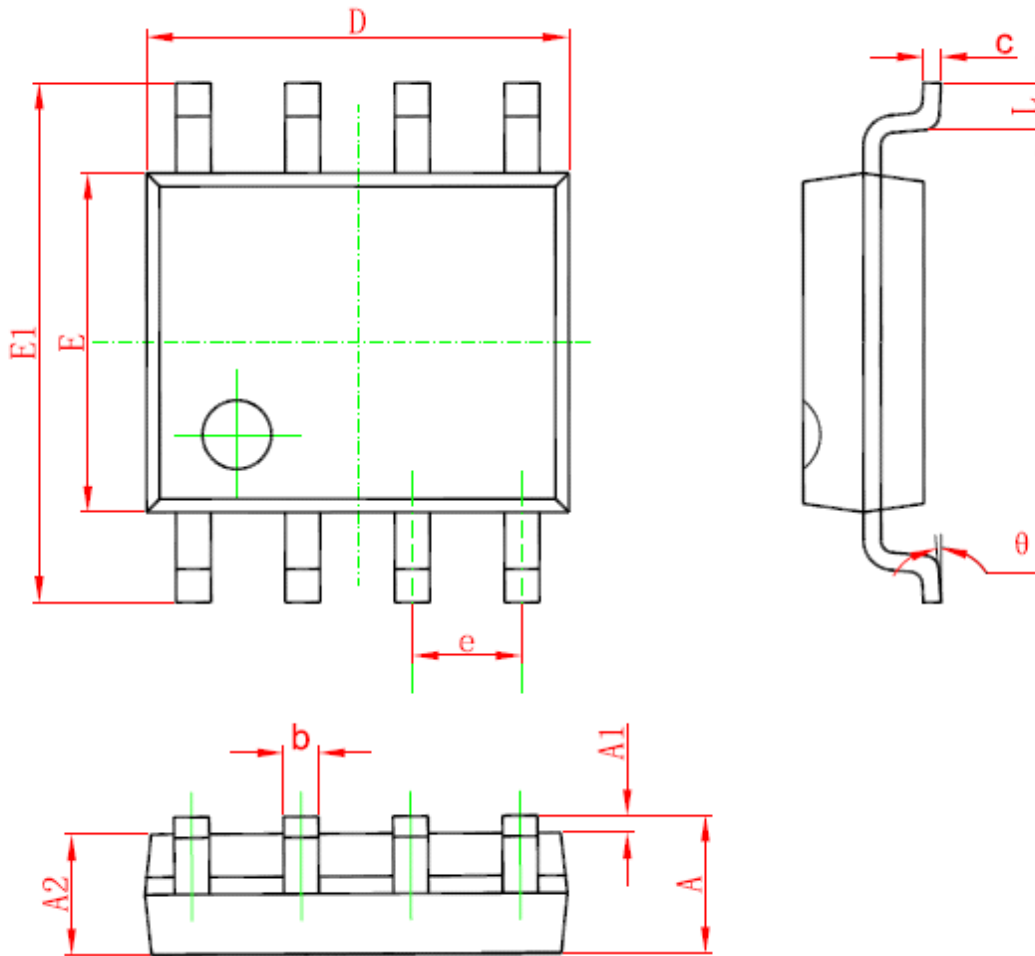
PACKAGE MECHANICAL DATA

8-Pin Plastic DIP



Symbol	Dimensions In Millimeters		Dimensions In Inches	
	Min	Max	Min	Max
A	3.710	4.310	0.146	0.170
A1	0.510		0.020	
A2	3.200	3.600	0.126	0.142
B	0.380	0.570	0.015	0.022
B1	1.524 (BSC)		0.060 (BSC)	
C	0.204	0.360	0.008	0.014
D	9.000	9.400	0.354	0.370
E	6.200	6.600	0.244	0.260
E1	7.320	7.920	0.288	0.312
e	2.540 (BSC)		0.100 (BSC)	
L	3.000	3.600	0.118	0.142
E2	8.400	9.000	0.331	0.354

8-Pin Plastic SOP



Symbol	Dimensions In Millimeters		Dimensions In Inches	
	Min	Max	Min	Max
A	1.350	1.750	0.053	0.069
A1	0.100	0.250	0.004	0.010
A2	1.350	1.550	0.053	0.061
b	0.330	0.510	0.013	0.020
c	0.170	0.250	0.006	0.010
D	4.700	5.100	0.185	0.200
E	3.800	4.000	0.150	0.157
E1	5.800	6.200	0.228	0.244
e	1.270 (BSC)		0.050 (BSC)	
L	0.400	1.270	0.016	0.050
θ	0°	8°	0°	8°

IMPORTANT NOTICE

RIGHT TO MAKE CHANGES

On-Bright Electronics Corp. reserves the right to make corrections, modifications, enhancements, improvements and other changes to its products and services at any time and to discontinue any product or service without notice. Customers should obtain the latest relevant information before placing orders and should verify that such information is current and complete.

WARRANTY INFORMATION

On-Bright Electronics Corp. warrants performance of its hardware products to the specifications applicable at the time of sale in accordance with its standard warranty. Testing and other quality control techniques are used to the extent it deems necessary to support this warranty. Except where mandated by government requirements, testing of all parameters of each product is not necessarily performed.

On-Bright Electronics Corp. assumes no liability for application assistance or customer product design. Customers are responsible for their products and applications using On-Bright's components, data sheet and application notes. To minimize the risks associated with customer products and applications, customers should provide adequate design and operating safeguards.

LIFE SUPPORT

On-Bright Electronics Corp.'s products are not designed to be used as components in devices intended to support or sustain human life. On-bright Electronics Corp. will not be held liable for any damages or claims resulting from the use of its products in medical applications.

MILITARY

On-Bright Electronics Corp.'s products are not designed for use in military applications. On-Bright Electronics Corp. will not be held liable for any damages or claims resulting from the use of its products in military applications.