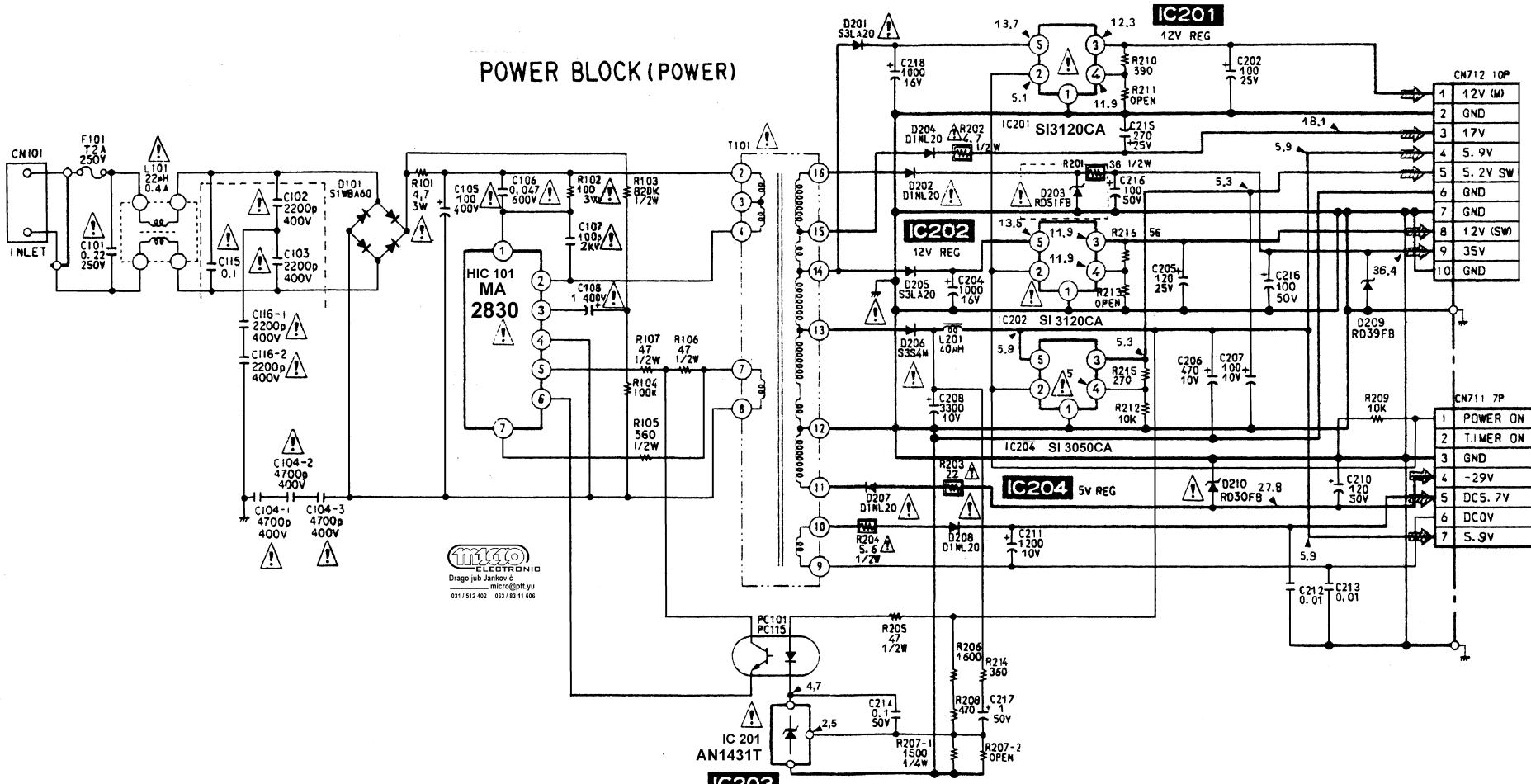


POWER BLOCK (POWER)



IMCO
ELECTRONIC
Dragoljub Jankovic
microdip.ty
031/512 402 063/03 11 806

CN712 10P	
1	12V (M)
2	GND
3	17V
4	5.9V
5	5.2V SW
6	GND
7	GND
8	12V (SW)
9	35V
10	GND

CN711 7P	
1	POWER ON
2	TIMER ON
3	GND
4	-29V
5	DC5.7V
6	DC0V
7	5.9V

IC203

REF VOLTAGE DET.