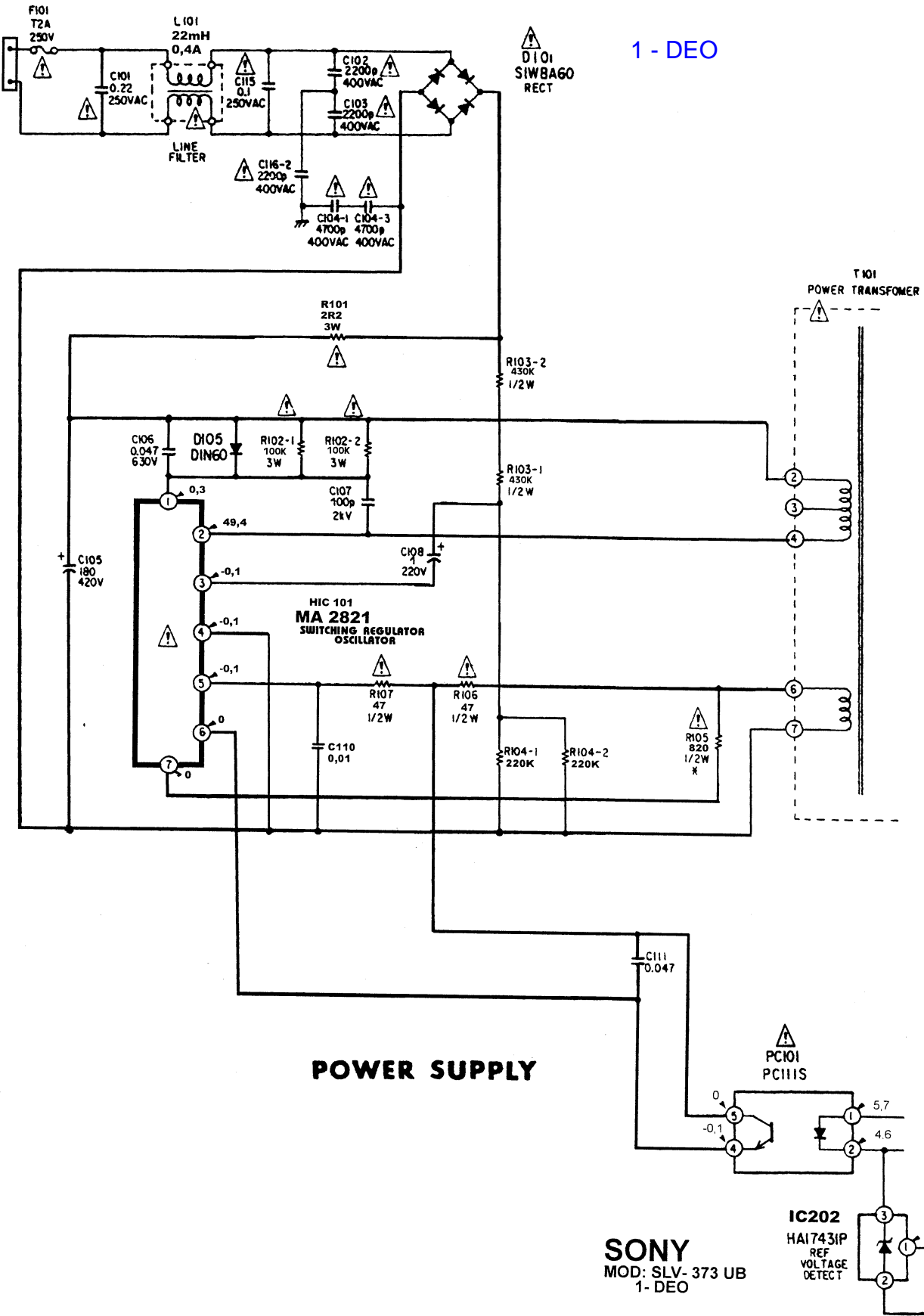


1-DEO



F101
T2A
250V

L101
22mH
0,4A

C101
0,22
250VAC

C116-2
2200p
400VAC

C102
2200p
400VAC

C103
2200p
400VAC

C104-1
4700p
400VAC

C104-3
4700p
400VAC

D101
SIWBAGO
RECT

LINE
FILTER

R101
2R2
3W

R103-2
430K
1/2W

C106
0,047
630V

D105
DIN60

R102-1
100K
3W

R102-2
100K
3W

C107
100p
2kV

R103-1
430K
1/2W

C105
180
420V

C108
220V

HIC 101
MA 2821
SWITCHING REGULATOR
OSCILLATOR

R107
47
1/2W

R106
47
1/2W

C110
0,01

R104-1
220K

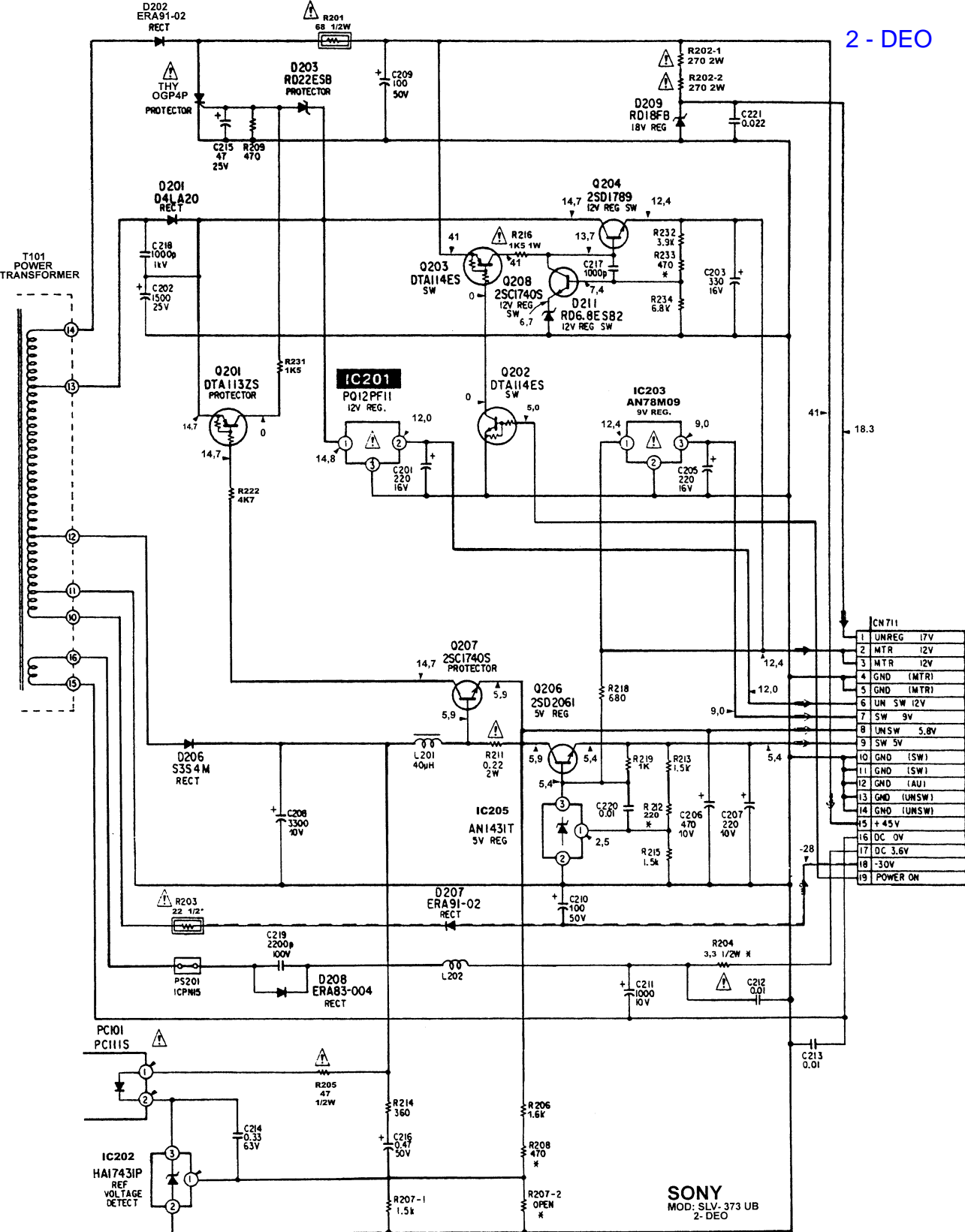
R104-2
220K

R105
820
1/2W
X

T101
POWER TRANSFORMER

PC101
PC111S

IC202
HA17431P
REF
VOLTAGE
DETECT



CN711	
1	UNREG 17V
2	MTR 12V
3	MTR 12V
4	GND (MTR)
5	GND (MTR)
6	UN SW 12V
7	SW 9V
8	UNSW 5.8V
9	SW 5V
10	GND (SW)
11	GND (SW)
12	GND (AU)
13	GND (UNSW)
14	GND (UNSW)
15	+45V
16	DC 0V
17	DC 3.6V
18	-30V
19	POWER ON

SONY
MOD: SLV-373 UB
2-DEO