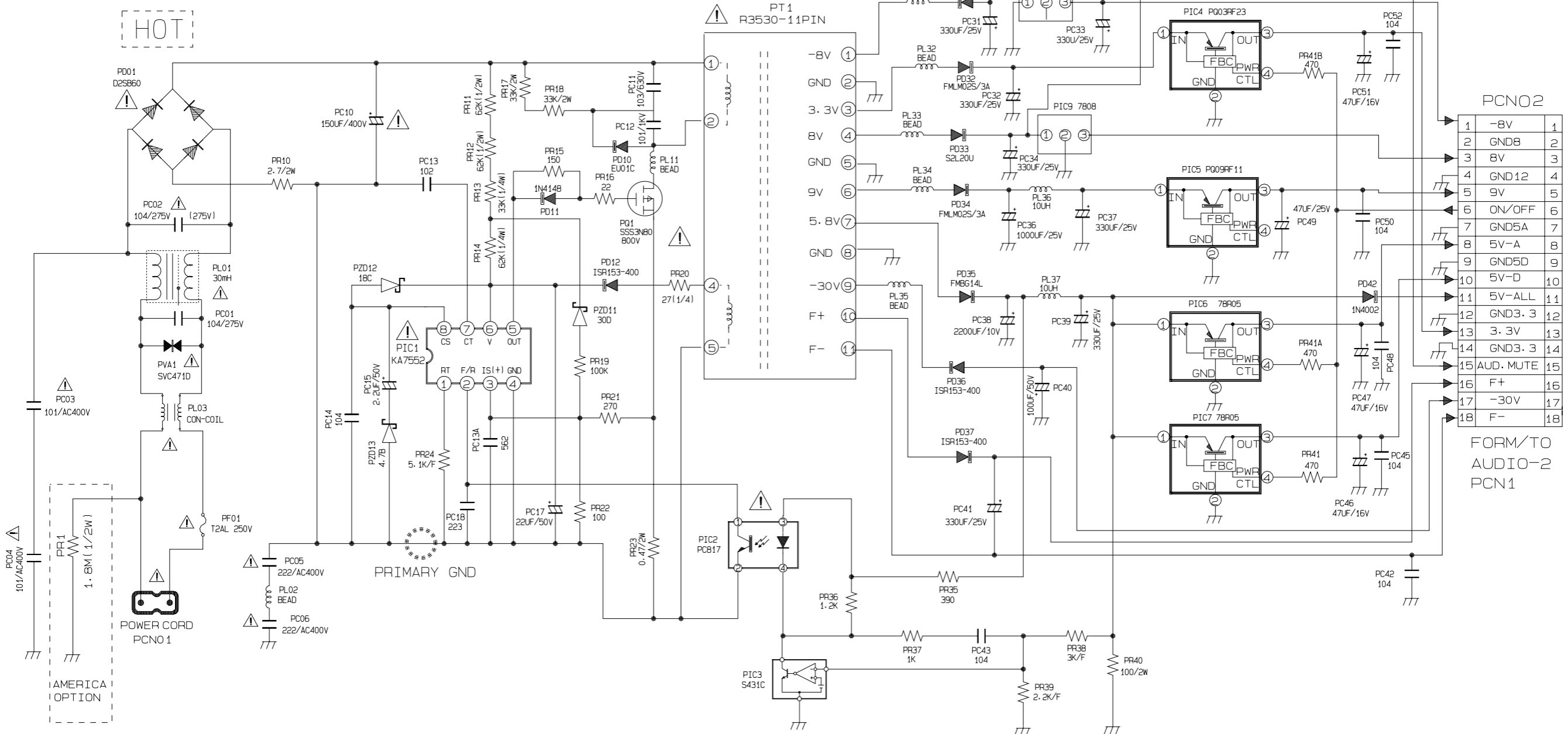


NOTE : IF YOU CHECK THE VOLTAGE FOR PARTS
IN HOT CIRCUIT. YOU MUST USE
PRIMARY GND AS A COMMON TERMINAL.

IMPORTANT SAFETY NOTICE
COMPONENT IDENTIFIED WITH THE MARK
HAVE THE SPECIAL CHARACTERISTICS FOR
SAFETY WHEN REPLACING ANY OF THESE
COMPONENT. USE ONLY THE SAME TYPE.



PCNO2

1	-8V	1
2	GND8	2
3	8V	3
4	GND12	4
5	9V	5
6	ON/OFF	6
7	GND5A	7
8	5V-A	8
9	GND5D	9
10	5V-D	10
11	5V-ALL	11
12	GND3.3	12
13	3.3V	13
14	GND3.3	14
15	AUD. MUTE	15
16	F+	16
17	-30V	17
18	F-	18

FORM/TO
AUDIO-2
PCN1