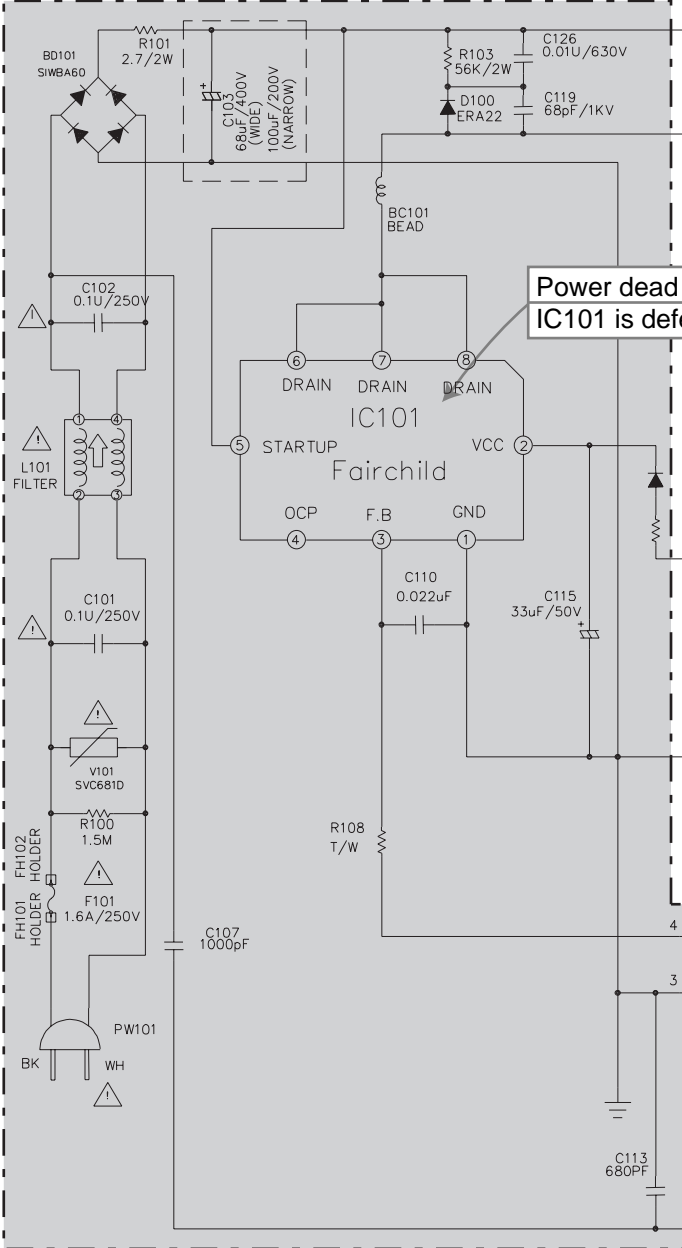


HOT CIRCUIT



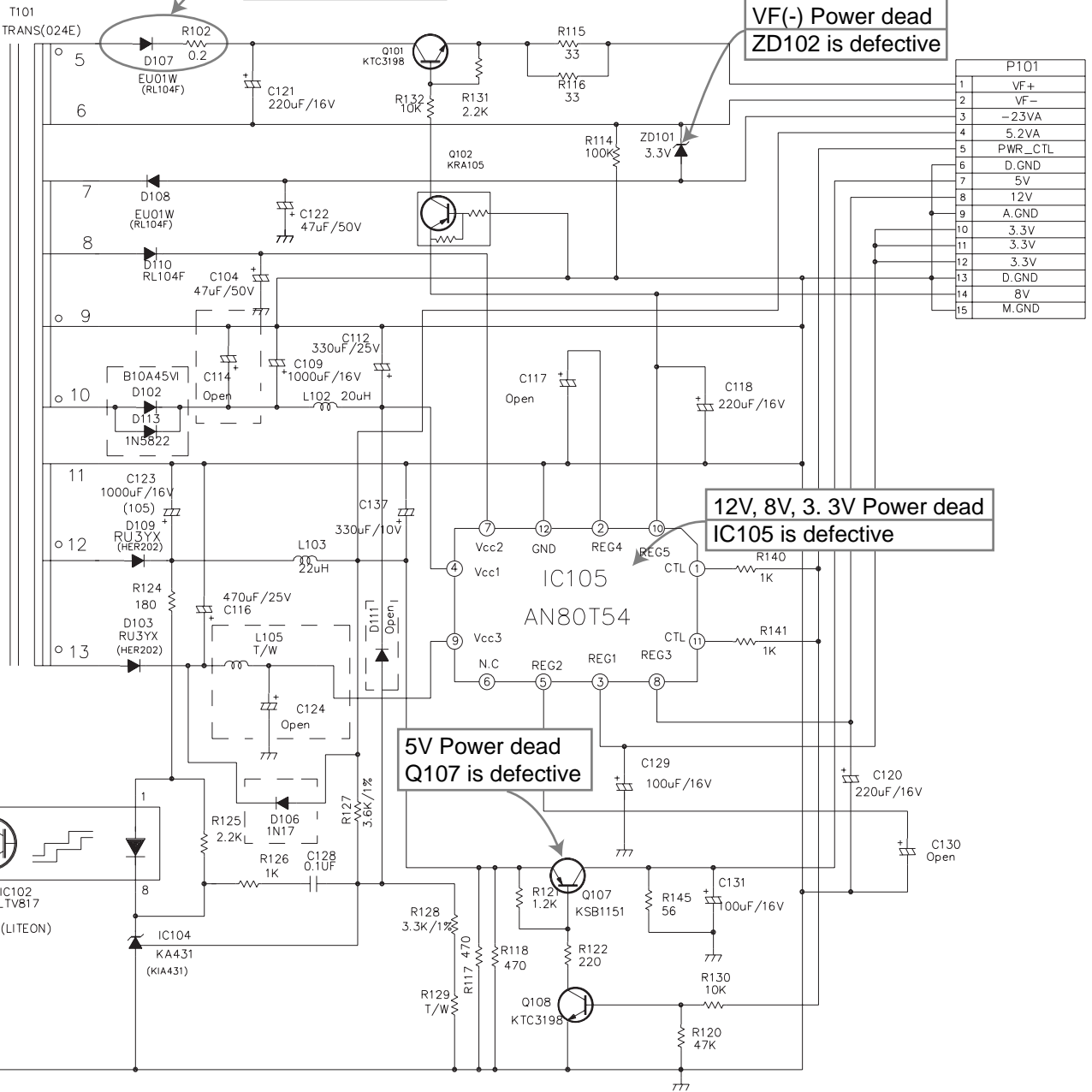
**Power dead
IC101 is defective**

**VF(+) Power dead
R102 is defective**

**VF(-) Power dead
ZD102 is defective**

**12V, 8V, 3.3V Power dead
IC105 is defective**

**5V Power dead
Q107 is defective**



P101	
1	VF+
2	VF-
3	-23VA
4	5.2VA
5	PWR_CTL
6	D.GND
7	5V
8	12V
9	A.GND
10	3.3V
11	3.3V
12	3.3V
13	D.GND
14	8V
15	M.GND