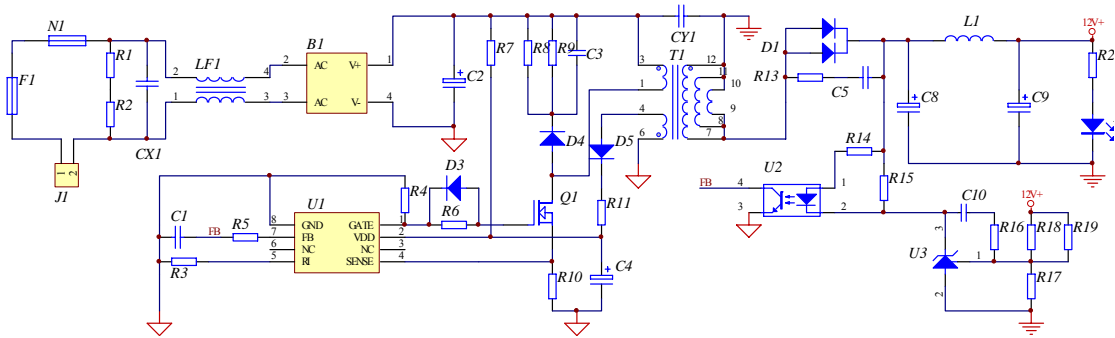
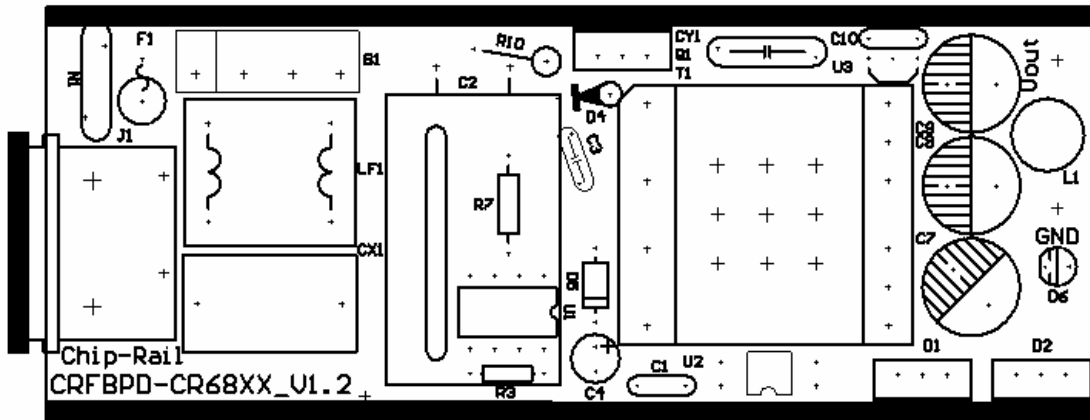


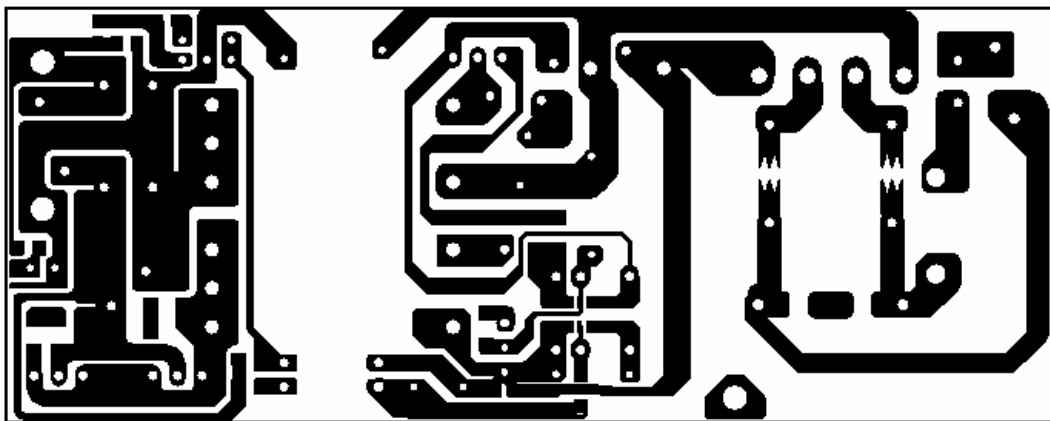
一、电路原理图(Schematic):



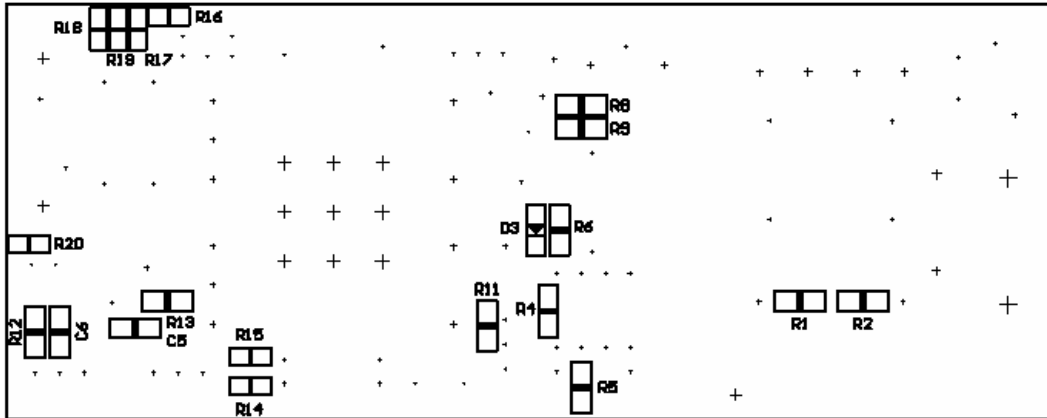
二、PCB Lay out



1、TopOverlay



2、Bottomlayer



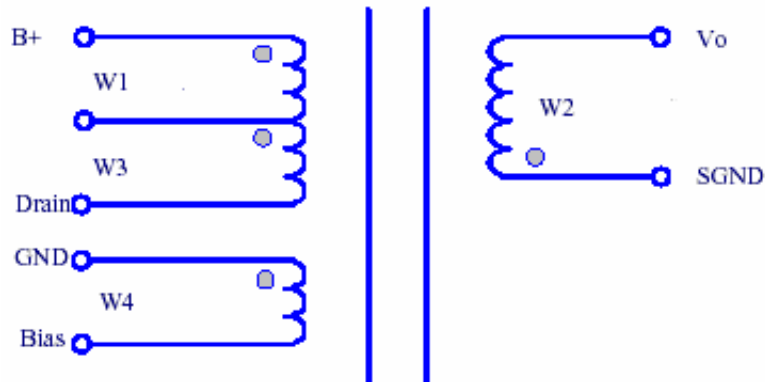
3、BottomOverlay

二、元器件清单(Bill of Material):

Designator	Description	PartType
C1	C/C;DIP;+/-10%;Pintch=100mil	103/63V
C2	C/E;Φ18*32;105 ;+/-20%;nichicon	68uF/400V
C3	C/C;DIP;+/-10%;Pintch=200mil; CBB	103/1KV
C4	C/E;Φ5*11;105 ;+/-20%;panasonic	10uF/50V
C5	C/C;SMD;+/-10%;1206;Open	102/100V
C6	C/C;SMD;+/-10%;1206	102/100V
C7	C/E;Φ10*20;105 ;+/-20%;Pintch=200mil;Panasonic; Open	1000uF/25V
C8	C/E;Φ10*20;105 ;+/-20%;Pintch=200mil;panasonic	1000uF/25V
C9	C/E;Φ10*20;105 ;+/-20%;Pintch=200mil;panasonic	1000uF/25V
C10	C/C;DIP;+/-10%;Pintch=200mil;63V	104/63V
CX1	C/X1;+/-20%;275V;Pintch=600mil;DAIN	0.22u/~275V
CY1	C/Y1;+/-20%;Pintch=400mil;	222/400V
B1	BRIGE;4A;600V	KBL406
D1	Schottky Barrier Rectifiers;20A;100V;TO220	Y2010
D2	Schottky Barrier Rectifiers;20A;100V;TO220; Open	Y2010
D3	DIODE;150mA;100V;1206; Fast Recovery	1N4148
D4	DIODE; 1A;1000V;Fast Recovery;DO-41	FR107
D5	DIODE; 1A;1000V;Fast Recovery;DO-41	FR107
D6	GREEN;Φ3mm	LED
R1	RES;SMD;1206;+/-5%	750K
R2	RES;SMD;1206;+/-5%	750K
R3	RES;MOF;+/-3%,1/4W	100K
R4	RES;SMD;1206;+/-5%	51K
R5	RES;SMD;1206;+/-5%	0Ω
R6	RES;SMD;1206;+/-5%	100Ω

R7	RES;CF;+/-5%,1/2W	2.2M
R8	RES;SMD;1206;+/-5%	200K
R9	RES;SMD;1206;+/-5%	200K
R10	RES;MOF;+/-5%,2W	0.82Ω
R11	RES;SMD;1206;+/-5%	10Ω
R12	RES;SMD;1206;+/-5%	47Ω
R13	RES;SMD;1206;+/-5%;Open	47Ω
R14	RES;SMD;0805;+/-5%	1K
R15	RES;SMD;0805;+/-5%	3.3K
R16	RES;SMD;0805;+/-5%	20K
R17	RES;SMD;0805;+/-5%	10K
R18	RES;SMD;0805;+/-5%	39K
R19	RES;SMD;0805;+/-5%;Open	1.5M
R20	RES;SMD;0805;+/-5%	2K
F1	FUSE,T2AL/250V;4.5*14.5L;Glass	F2A/250V
J1	POWER_ACIN	CON2
L1	Φ8*20; 3A	10uH
LF1	FILTER;UU10.5	10mH
N1	NTC;5D-9	5D-9
Q1	MOSFET;5A;600V;TO220	5N60
T1	TRANSFORMER;PQ26-20	PQ2620
U1	SOT23-6/DIP8	CR6848
U2	DIP4	PC817B
U3	TO92	TL431

三、变压器示意图及参数配置：



Core & Bobbin	Winding	Start	Stop	Wire Gauge(mm)	Turns
PQ26-20	W1	Pin3	Pin2	0.38*2	20
	W2	Pin10,11,12	Pin7,8,9	0.51*2	7
	W3	Pin2	Pin1	0.38*2	20
	W4	Pin6	Pin4	0.18*1	9

NOTE: $N_p(W1+W3)$ $L_p=850\mu H$ 漏感小于 5% L_p 。